



ORION

ITV
ICE makers



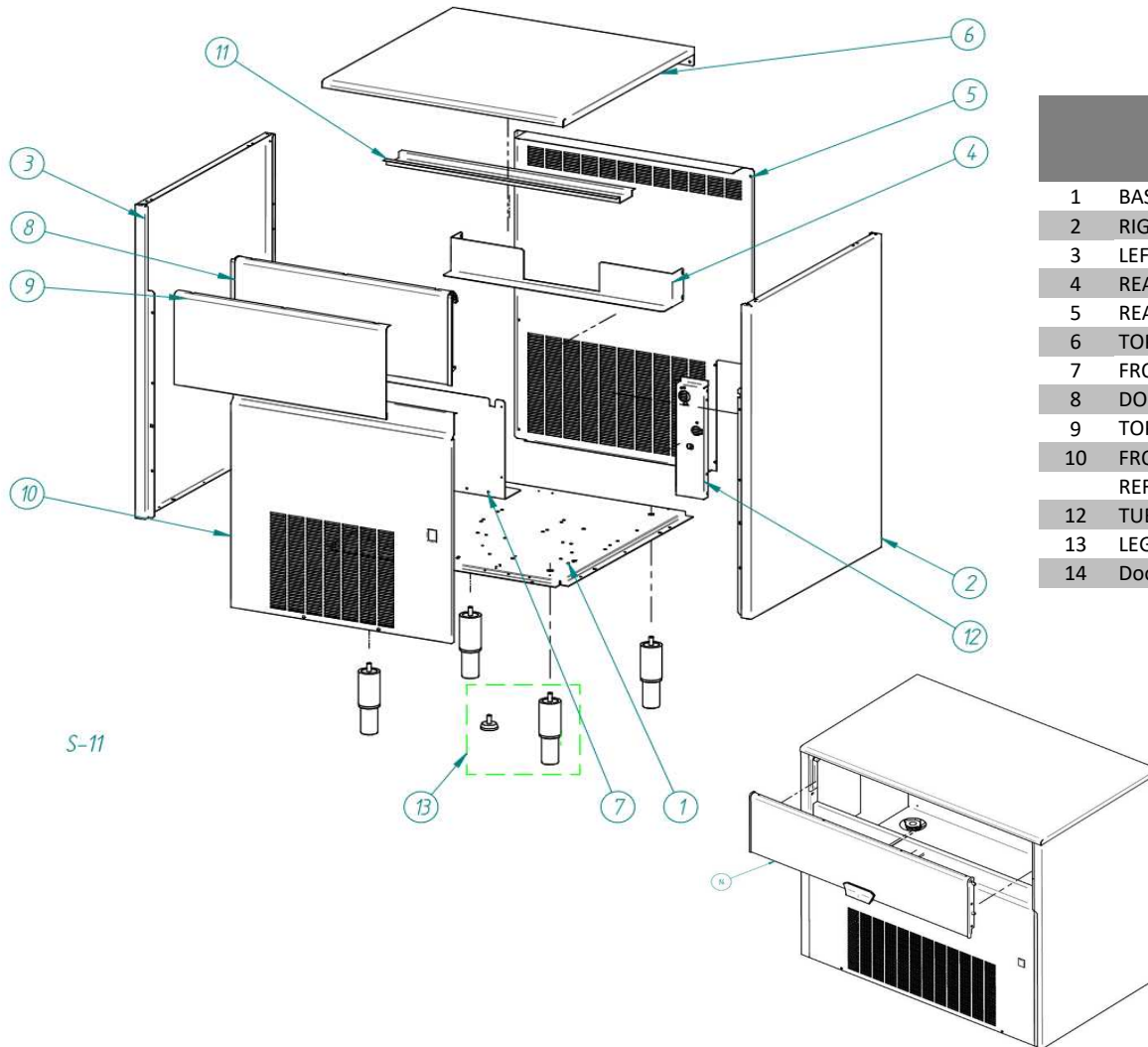
DESPIECE / REPUESTOS
EXPLODED VIEW / SPARE PARTS
EXPLOSIONSZEICHNUNG / ERSATZTEILE
VUE ÉCLATÉE / PIÈCES DÉTACHÉES
ESPLOSO / RICAMBI

ITV | ICE makers **SERVICE** 

CABINET



ORION

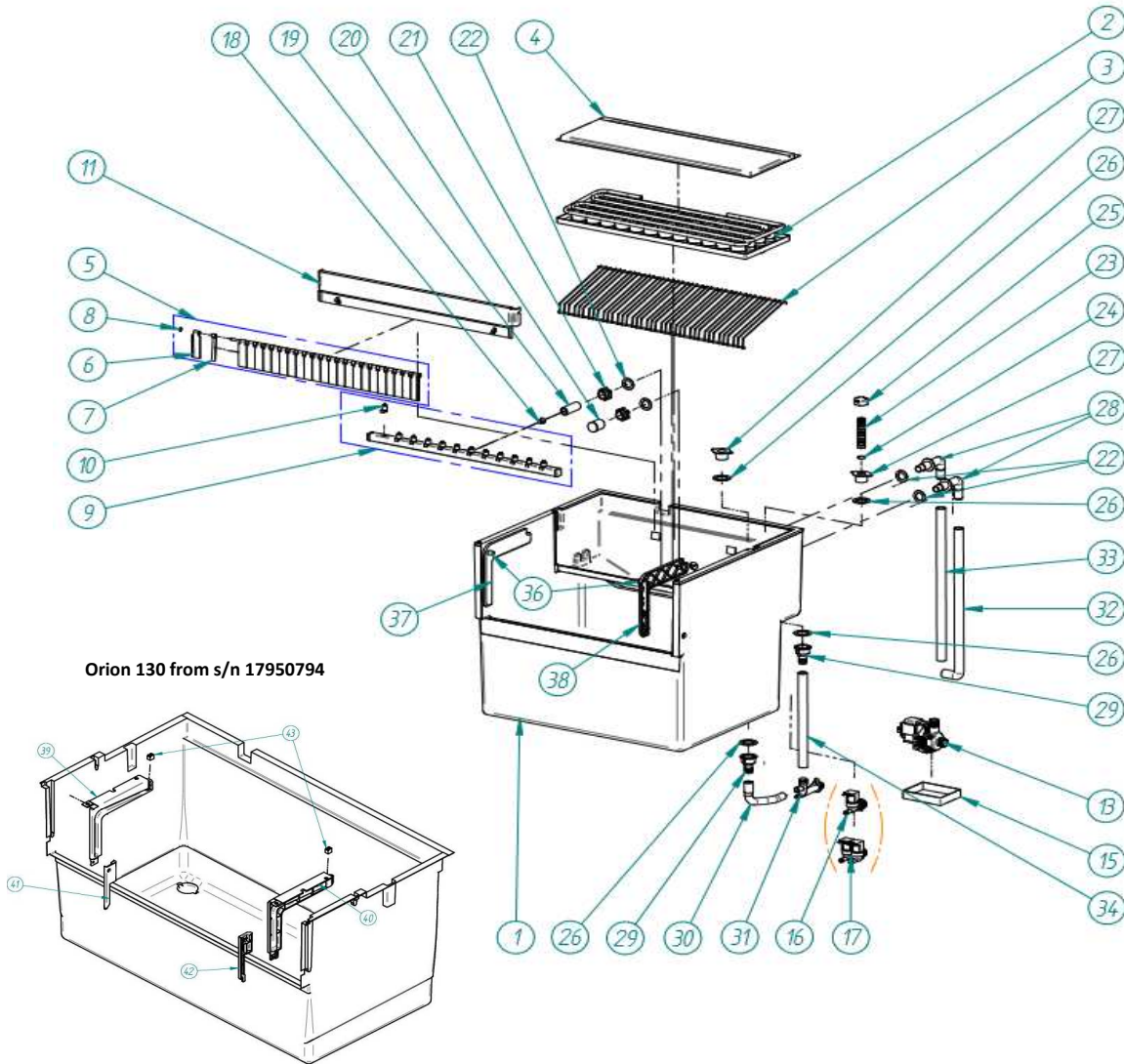


	NAME	MODEL				
		30	40	60	80	130
1	BASE	4101		4116	4143	4296
2	RIGHT PANEL	4810		4812	4814	4816
3	LEFT PANEL	4811		4813	4815	4817
4	REAR SUPPORT	4106		4122	4136	-
5	REAR PANEL	4108		4124	4138	4460
6	TOP PANEL	4818V1		4819V1	4820V1	4821V1
7	FRONT SUPPORT	4105		4121	-	-
8	DOOR	4268		4269	4270	4271
9	TOP PANEL (DOOR)	4830		4831	4832	4833
10	FRONT PANEL AND GRILL	2086		2088	2089	6453
11	REFUERZO CUBIERTA	-	30170	30171	30172	4847
12	TUBE SUPPORT	4107		4123	4137	4298
13	LEGS			1478		
14	Door Orion 130 from s/n 17950794					30678

BIN & HIDRAULICS PARTS



ORION



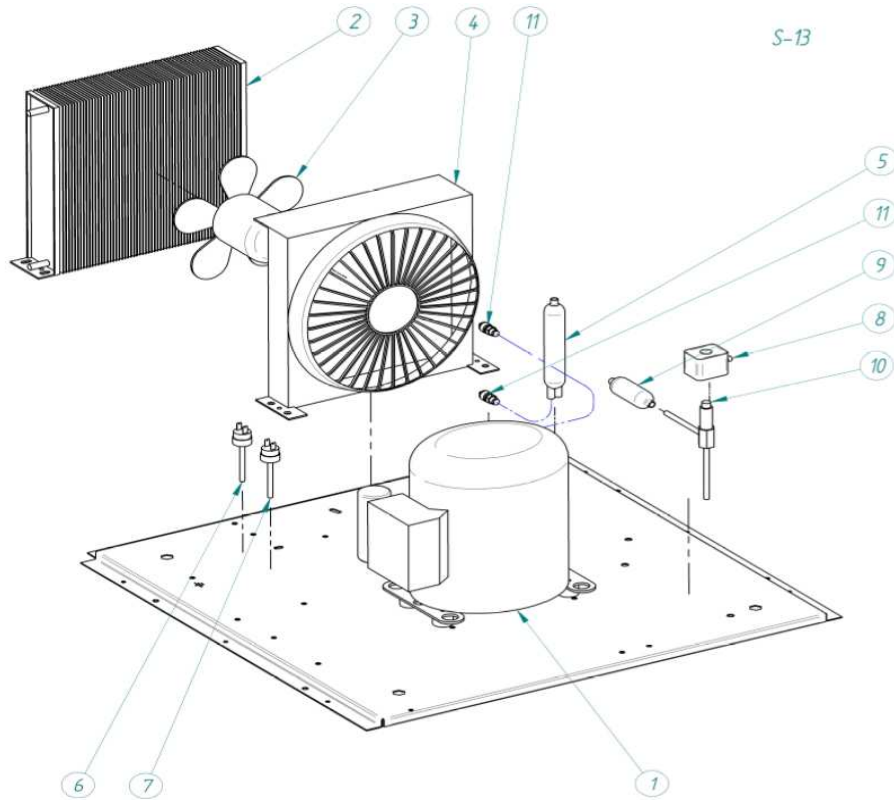
Orion 130 from s/n 17950794

DESCRIPCION	MODELO				
	30	40	60	80	130
1 STOCK BIN	7460		7461	7462	7498
2 EVAPORATOR 40gr	7435		7440	7441	7469
3 EJECT CUBE GRILL	8904		8905	8906	8907
4 EVAPORATOR COVER	4707		4708	4709	4710
5 CURTAIN	8362		8363	8364	5957
6 EXTERIOR CURTAIN SLAT	1213				
7 INTERIOR CURTAIN SLAT	1212				
8 JOINT	107				
9 COLLECTOR	7454		7455	7456	7497
10 NOZZLE	526				
11 CURTAIN SUPPORT	8176		8177	8178	4464
13 PUMP	4769		8687K		
14 PUMP SUPPORT	4613				
15 CONDENSATION TRAY	4521				
16 WATER INLET VALVE	6980		7685	1673	7690
17 WATER INLET VALVE	1674		7691	1674	1913+4476+4527
18 WATER REGULATOR	805		-	-	-
19 TUBE	4098				
20 FILTER	4505				
21 PLASTIC NUT	4502				
22 JOINT	4503				
23 OVERFLOW PLASTIC COUPLING	4426				
24 OVERFLOW TUBE	4496				
25 ELBOW ADAPTER	4427				
26 JOINT	4755				
27 DRAIN	6017				
28 DRAIN ELBOW ADAPTER	4501				
29 DRAIN STRIGHT UNION	6018				
30 DRAIN COUPLING	6021				
31 WATER DISTRIBUTOR	363				
32 WATER INLET TUBE	8829		8830		8831
33 WATER OUTLET PIPE	4713		4724		4727
34 OVERFLOW TUBE	4714		4726		4729
36 CLIP	4276				
37 LEFT GUIDE	4273				
38 RIGHT GUIDE	4272				
39 TOP LEFT GUIDE ORION 130 from s/n 17950794					30667
40 TOP RIGHT GUIDE ORION 130 from s/n 17950794					30668
41 BOTTOM LEFT GUIDE ORION 130 from s/n 17950794					30669
42 BOTTOM RIGHT GUIDE SORION 130 from s/n 17950794					30670
43 DOOR BLOCK ORION 130 from s/n 17950794					1715

AIR CONDENSER



ORION

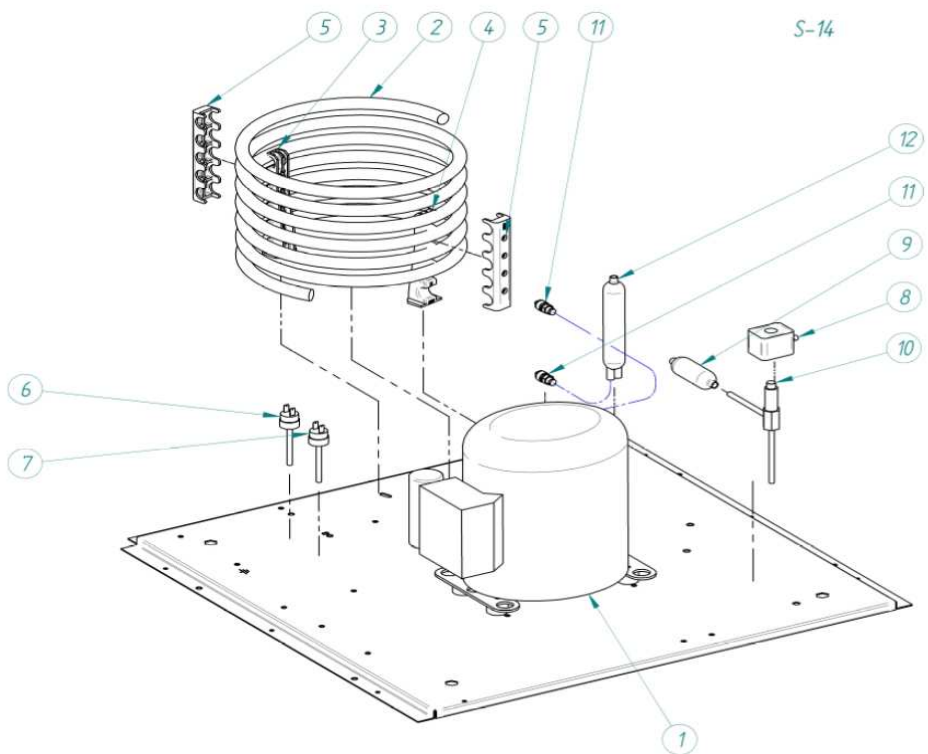


	NAME				
	30	40	60	80	130
1 COMPRESSOR	6005	6515		6007	6763
2 CONDENSER	8327			4157	2618
3 FAN	2170+4040	28+4887	410+1326	4230+4495	445+4495
4 BAFFLE	-		-	2435	-
5 DRIER					1717
6 HIGH PRESSURE SWITCH				334	2683
7 CONDENSING PRESSURE SWITCH					7476
8 COIL					5173
9 FILTER					448
10 HOT GAS VALVE				1473	843
11 INLET VALVE					335

WATER CONDENSER



ORION



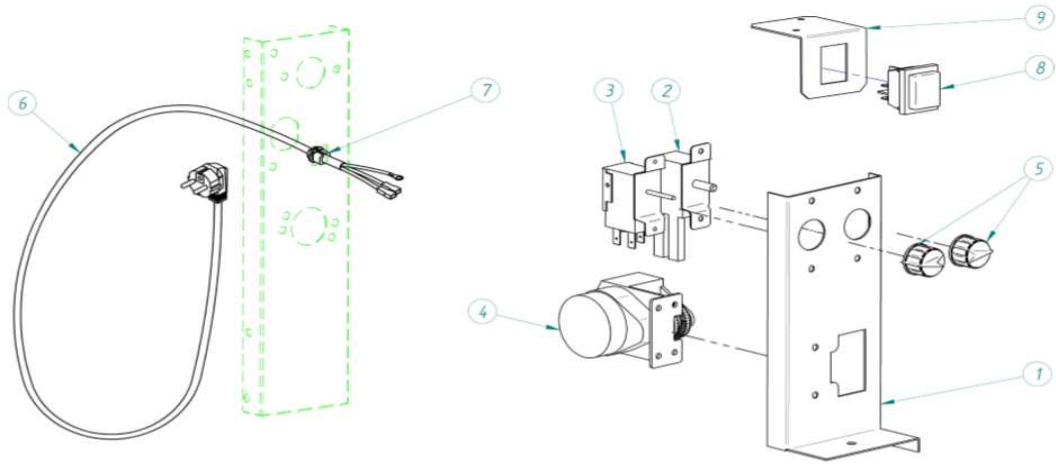
S-14

	NAME				
	30	40	60	80	130
1 COMPRESSOR	6005		6515	6007	6763
2 CONDENSER	5242		5243	5244	5246
3 SUPPORT			4036		
4 SUPPORT			4037		
5 SUPPORT			4038		
6 HIGH PRESSURE SWITCH			334		2683
7 CONDENSING PRESSURE SWITCH			7476		
8 BOBINA			5173		
9 FILTER			448		
10 HOT GAS VALVE			1473		843
11 INLET VALVE			335		
12 DRIER			1717		

ELECTRIC BOX



ORION



S-15

	NAME				
	30	40	60	80	130
1	SUPPORT		4469		
2	CYCLE THERMOSTAT		153 4513 153 4153		
3	STOCK THERMOSTAT		274		
4	TIMER		380C 4864C 380C 4864C		
5	THERMOSTAT CONTROL		272		
6	ELECTRIC CORD		408		
7	WIRING FIXING FLANGE		6536		
8	SWITCH		6597		
9	SWITCH SUPPORT		4455		