

## ORION 20 R290

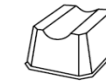
---

**ITV**  
ICE makers

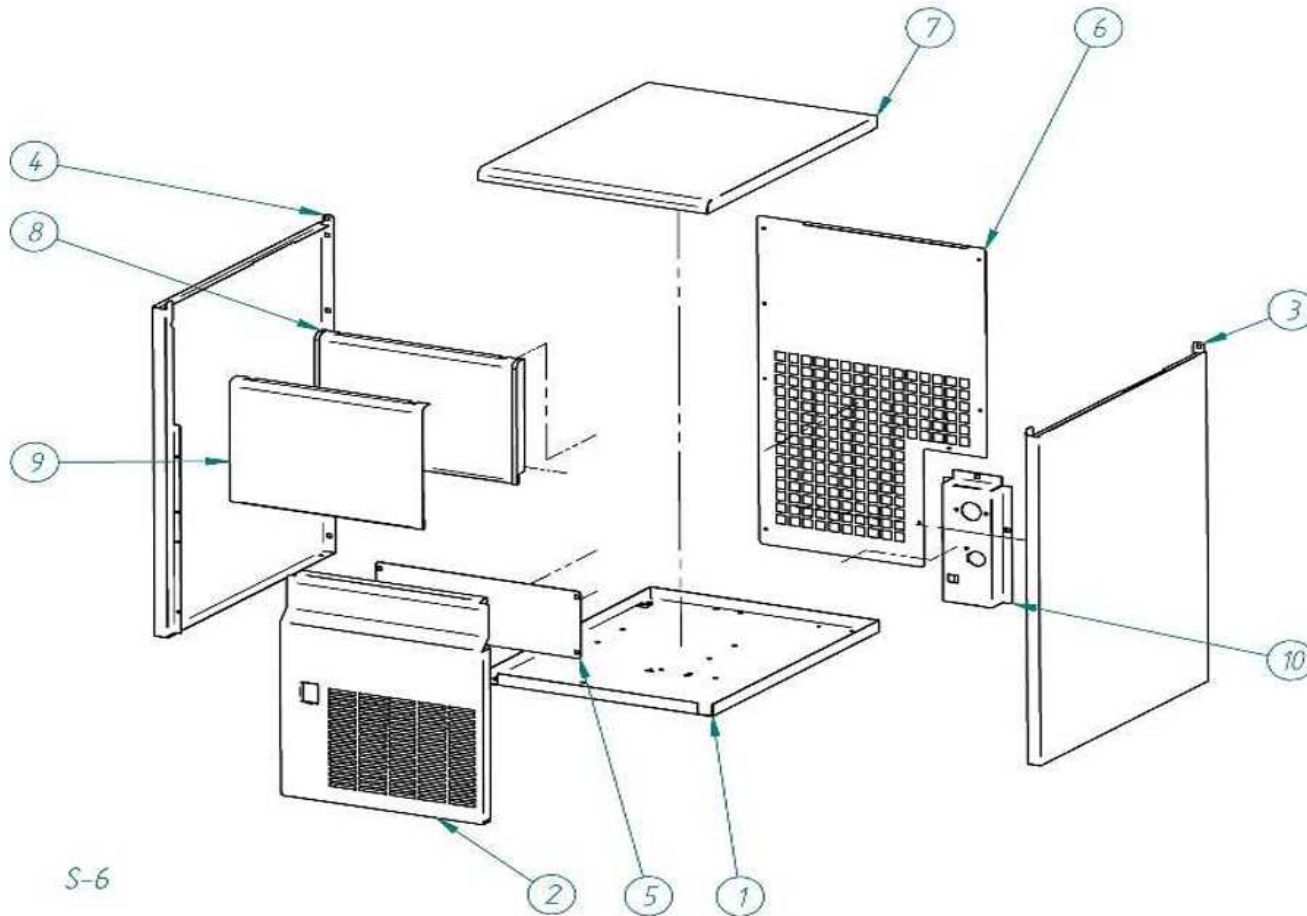


DESPIECE / REPUESTOS  
EXPLODED VIEW / SPARE PARTS  
EXPLOSIONSZEICHNUNG / ERSATZTEILE  
VUE ÉCLATÉE / PIÈCES DÉTACHÉES  
ESPLOSO / RICAMBI

# CABINET



# ORION 20 R290



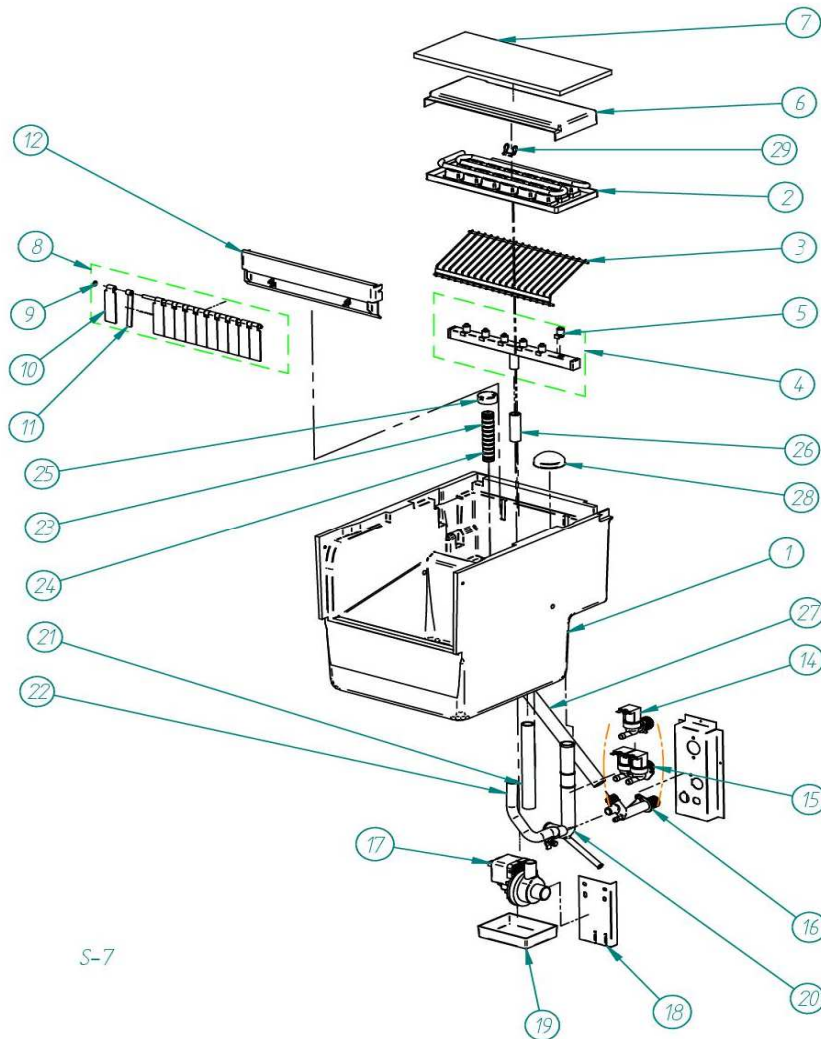
NAME		
1	BASE	1300U
2	FRONT AND GRILL	1933
3	RIGHT PANEL	2294
4	LEFT PANEL	2295
5	FRONT SUPPORT	1327
6	REAR PANEL	1794
7	TOP PANEL	1925
8	DOOR	853
9	DOOR PANEL	1017
10	TUBE SUPPORT	1934

S-6

# BIN & HYDRAULICS PARTS



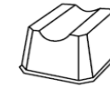
## ORION 20 R290



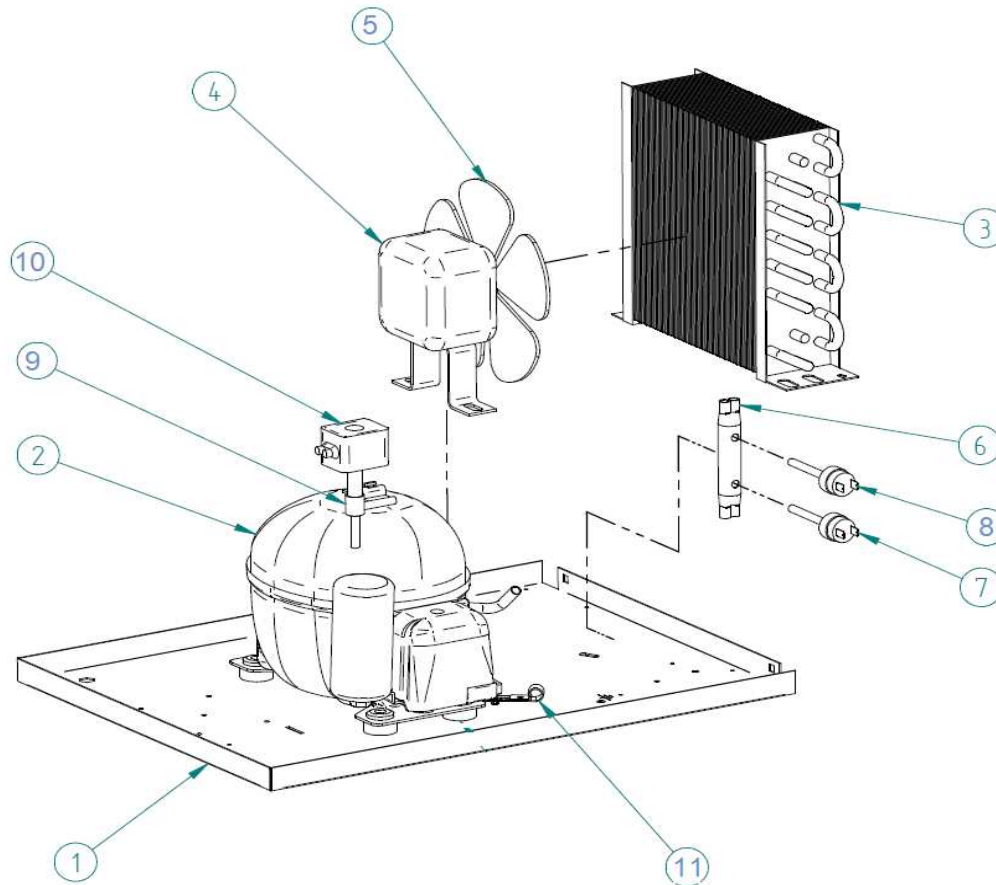
S-7

	NAME	
1	STOCK BIN	7503
2	EVAPORATOR	6921
3	EJECT CUBE GRILL	31114
4	COLLECTOR	7333
5	NOZZLE	526
6	EVAPORATOR COVER	1432
8	CURTAIN	5223
9	JOINT	107
10	EXTERIOR CURTAIN SLAT	1213
11	INTERIOR CURTAIN SLAT	1212
12	EVAPORATOR SUPPORT	1435
13	CLIP	-
14	WATER INLET VALVE	6982
15	WATER INLET VALVE water cond.	7693
16	DRAIN COLLECTOR	363
17	WATER PUMP	4769
18	WATER PUMP SUPPORT	4613
19	CONDENSATION TRAY	4521
20	WATER INLET TUBE	4961
21	WATER OUTLET TUBE	4744
22	DRAIN	2189
23	OVERFLOW TUBE	4426
24	O-RING	4496
25	OVERFLOW COVER	4427
26	TUBE	993
27	DRAIN TUBE	2752
28	FILTER	580
29	THERMOSTAT CLIP	4534

## AIR CONDENSER

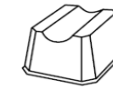


ORION 20 R290

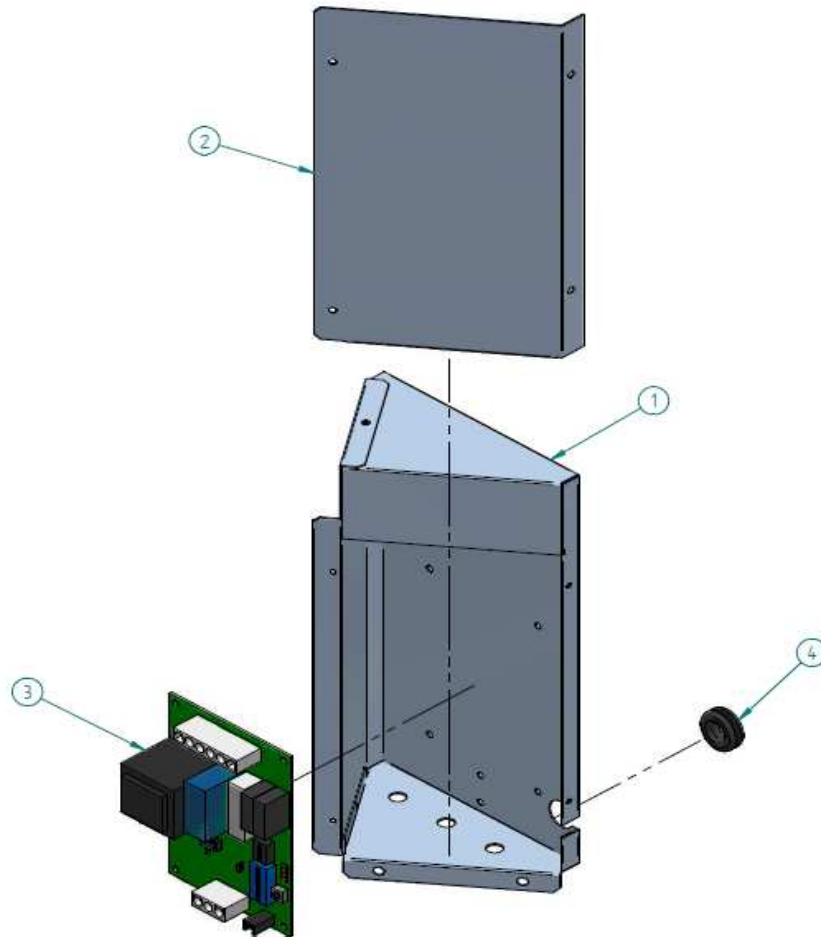


	NAME	
1	BANCADA	1300U
2	COMPRESOR R290	31301
3	CONDENSADOR	6907
4	MOTOR VENTILADOR	2170
5	PALAS VENTILADOR	4887
6	COLECTOR TOMAS PRESIÓN	31444
7	PRESOSTATO SEGURIDAD	31660
8	PRESOSTATO CONDENSACIÓN	31160
9	VALVULA GAS CALIENTE	6904
10	BOBINA	6906
11	CLIP BRIDA	3533

# ELECTRIC BOX



## ORION 20 R290



NAME		
1	ELECTRONIC BOX	31826
2	ELECTRONIC BOX COVER	31827
3	ELECTRONIC BOARD	8143B
4	WIRE HOLE	8411
5	STOCK THERMOSTAT	31758
6	TEMPERATURE PROBE	3004
7	TEMPERATURE PROBE CLAMP	8218
8	MAIN SWITCH	2287U