

ORION 20

ITV
ICE makers

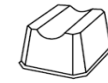


DESPIECE / REPUESTOS
EXPLODED VIEW / SPARE PARTS
EXPLOSIONSZEICHNUNG / ERSATZTEILE
VUE ÉCLATÉE / PIÈCES DÉTACHÉES
ESPLOSO / RICAMBI

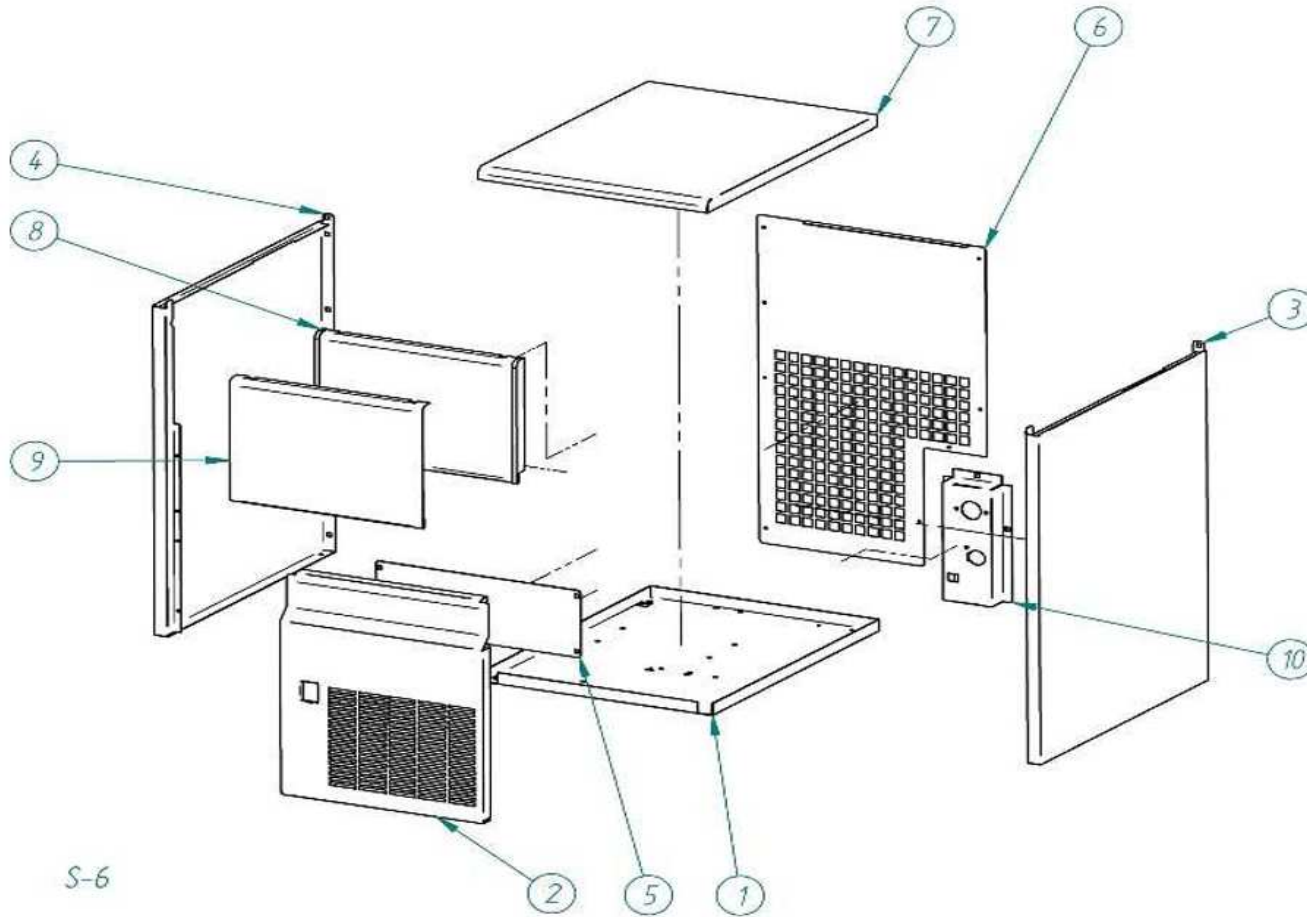


ITV | ICE makers **SERVICE** 

CABINET



ORION 20



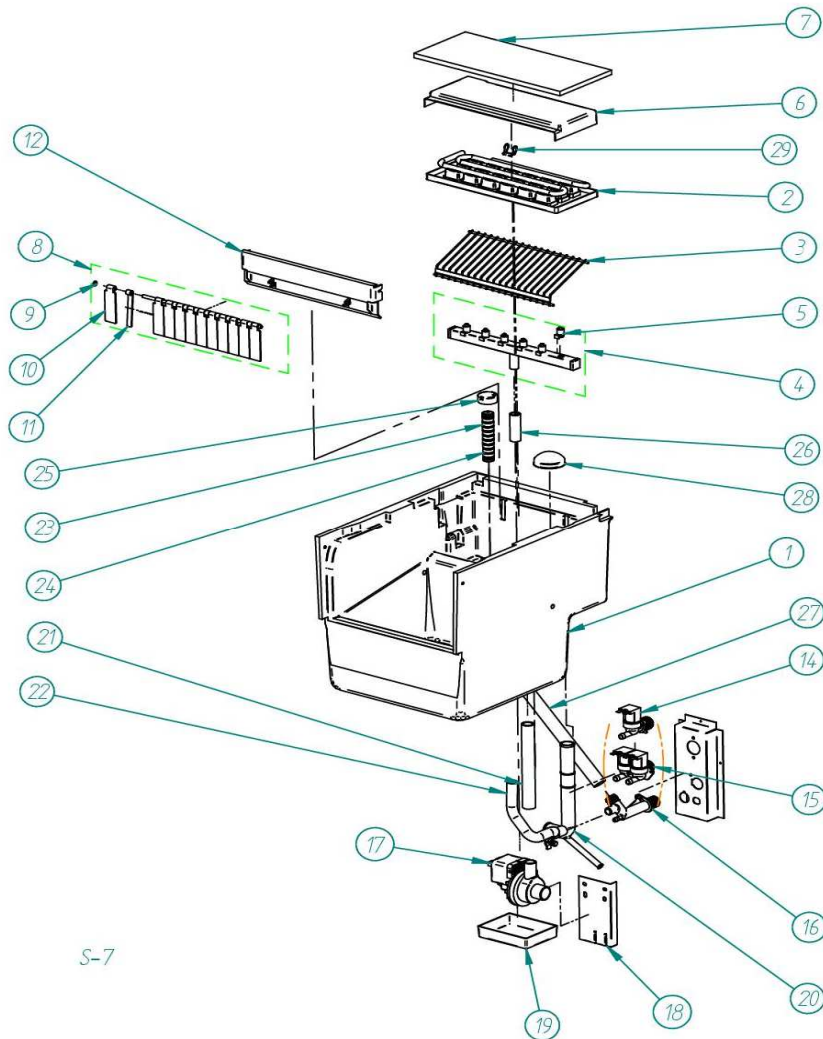
NAME		
1	BASE	1300
2	FRONT AND GRILL	1933
3	RIGHT PANEL	2294
4	LEFT PANEL	2295
5	FRONT SUPPORT	1327
6	REAR PANEL	1794
7	TOP PANEL	1925
8	DOOR	853
9	DOOR PANEL	1017
10	TUBE SUPPORT	1934

S-6

BIN & HYDRAULICS PARTS



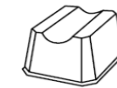
ORION 20



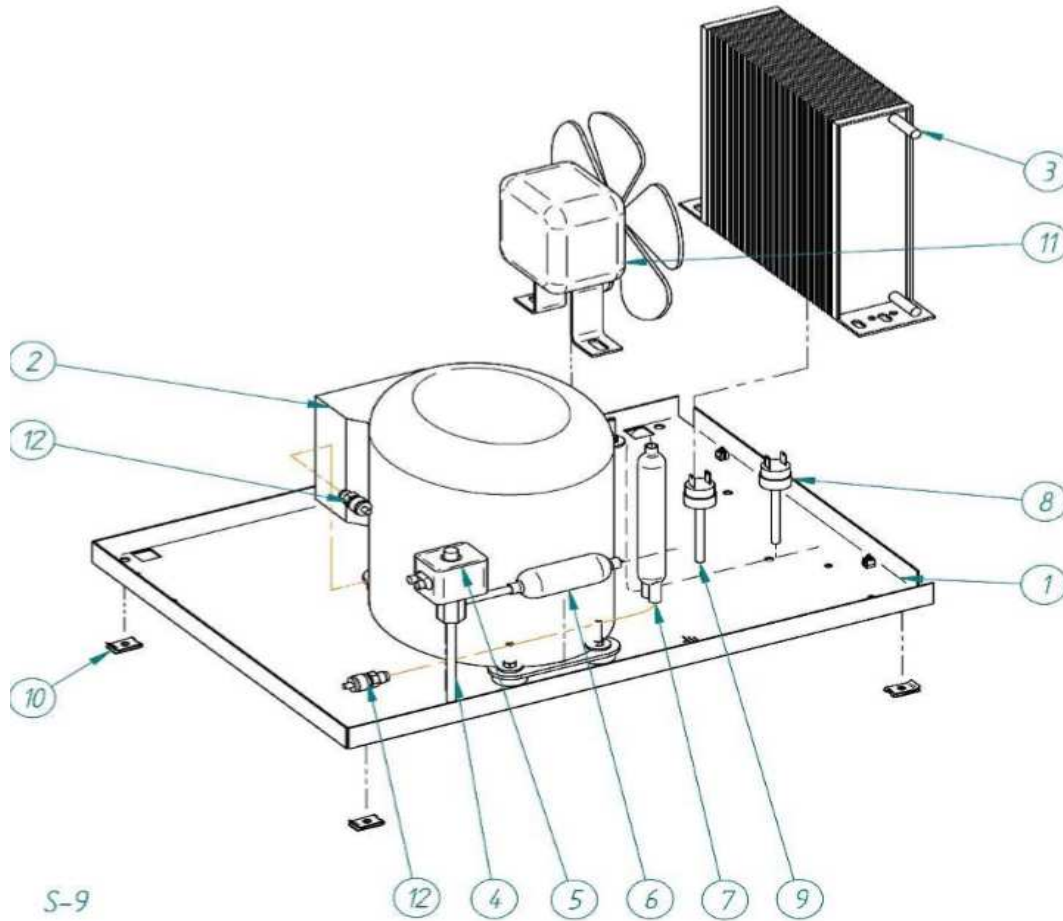
S-7

	NAME	
1	STOCK BIN	7503
2	EVAPORATOR	6921
3	EJECT CUBE GRILL	8885
4	COLLECTOR	7333
5	NOZZLE	526
6	EVAPORATOR COVER	1432
8	CURTAIN	5223
9	JOINT	107
10	EXTERIOR CURTAIN SLAT	1213
11	INTERIOR CURTAIN SLAT	1212
12	EVAPORATOR SUPPORT	1435
13	CLIP	-
14	WATER INLET VALVE	6982
15	WATER INLET VALVE water cond.	7693
16	DRAIN COLLECTOR	363
17	WATER PUMP	4769
18	WATER PUMP SUPPORT	4613
19	CONDENSATION TRAY	4521
20	WATER INLET TUBE	4961
21	WATER OUTLET TUBE	4744
22	DRAIN	2189
23	OVERFLOW TUBE	4426
24	O-RING	4496
25	OVERFLOW COVER	4427
26	TUBE	993
27	DRAIN TUBE	2752
28	FILTER	580
29	THERMOSTAT CLIP	4534

AIR CONDENSER

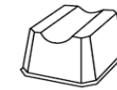


ORION 20

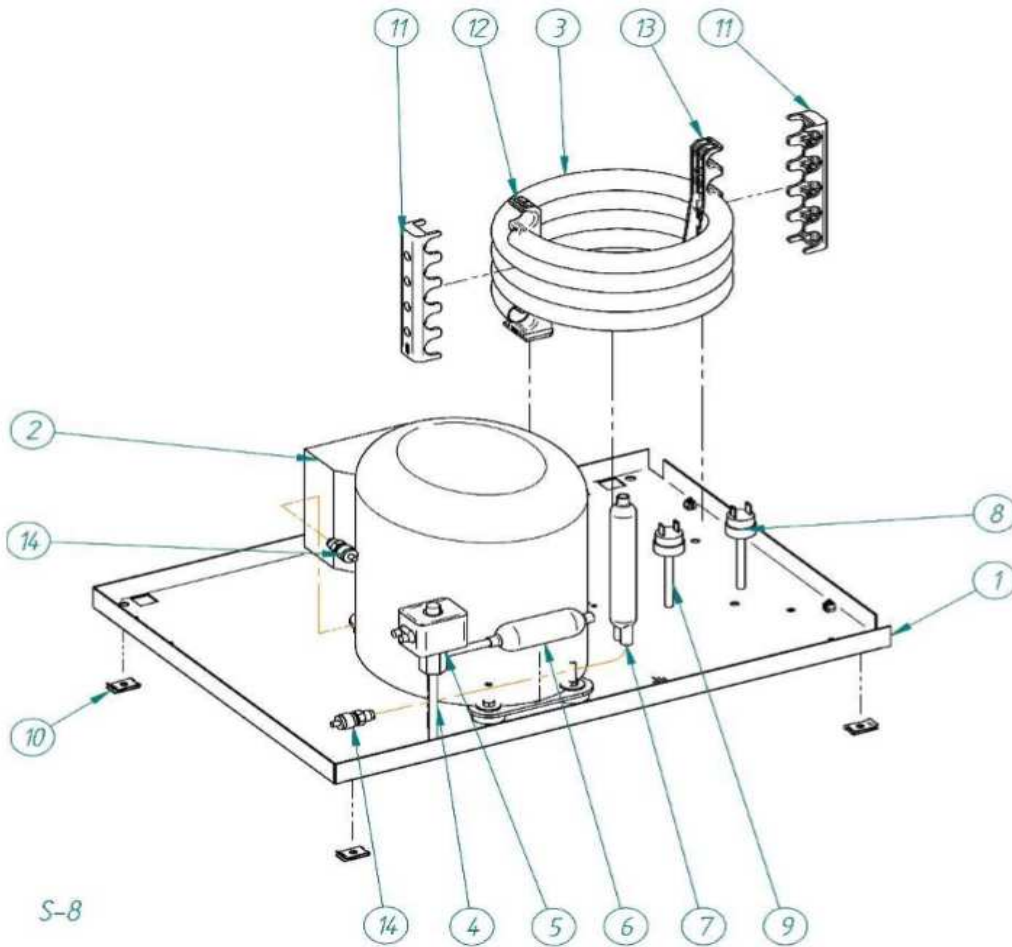


NAME		
1	BASE	1300
2	COMPRESSOR	8435
3	CONDENSER	6907
4	HOT GAS VALVE	6904
5	COIL	6906
6	FILTER	448
7	DRIER	6856
8	CONDENSING PRESSURE SWITCH	7476E
9	BIMETAL THERMOSTAT	4528
10	CLIP	5284
11	FAN	2170+587
12	INLET VALVE	335

WATER CONDENSER

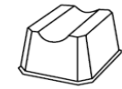


ORION

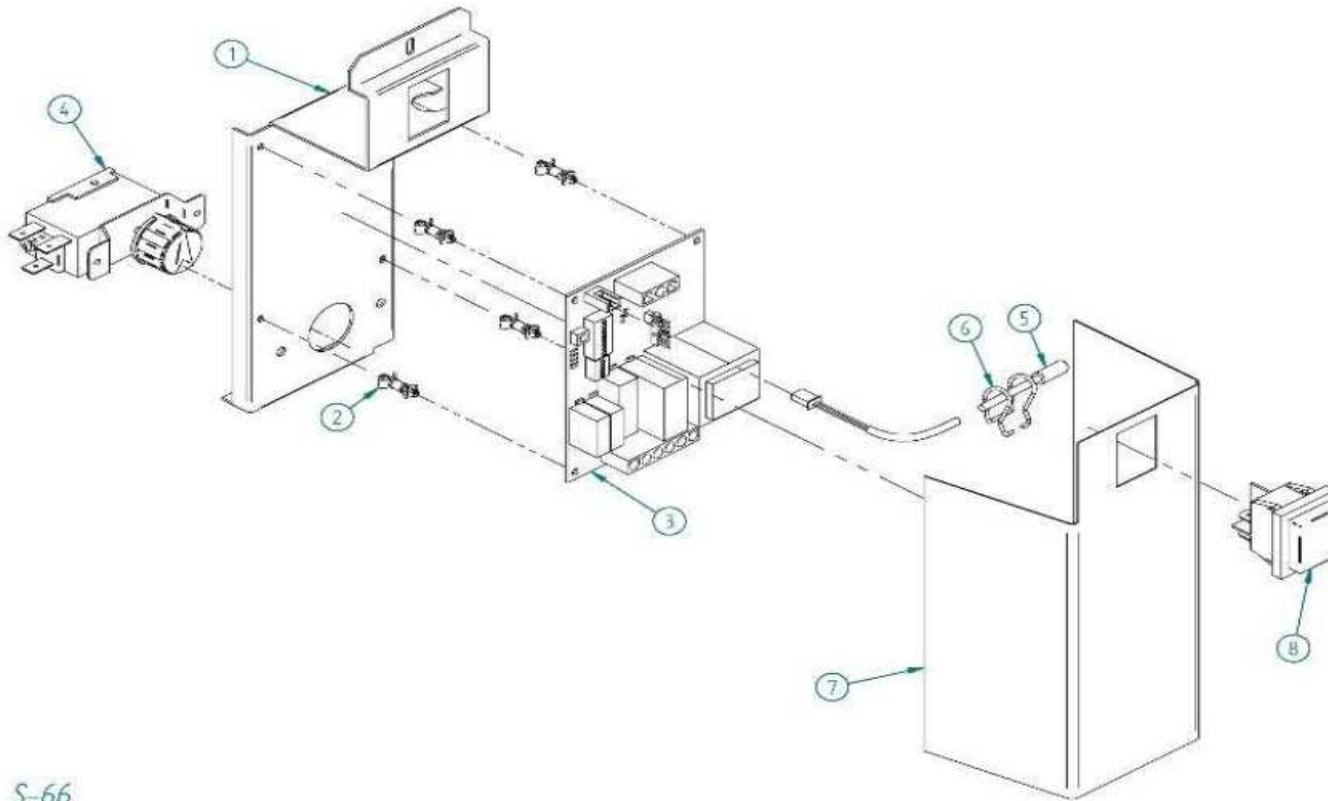


NAME		
1	BASE	1300
2	COMPRESOR	8435
3	CONDENSER	5224
4	HOT GAS VALVE	6904
5	COIL	6906
6	FILTER	448
7	DRIER	6856
8	CONDENSING PRESSURE SWITCH	7476E
9	BIMETAL THERMOSTAT	4528
10	CLIP	5284
11	SUPPORT	4038
12	SUPPORT	4037
13	SUPPORT	4036
14	INLET VALVE	335

ELECTRIC BOX



ORION 20



	NAME	
1	SUPPORT	8166
2	ELECTRONIC BOARD CLIP	8186
3	ELECTRONIC BOARD	8143
4	STOCK THERMOSTAT	274
5	NTC TEMPERATURE PROBE	3004
6	TEMPERATURE PROBE CLIP	8218
7	ELECTRONIC BOARD CURTAIN	8213
8	SWITCH	2287

S-66