

THIS MANUAL IS PART OF THE PRODUCT. READ IT CAREFULLY IN ORDER TO USE AND MAINTAIN THE EQUIPMENT CORRECTLY. IT IS IMPORTANT TO KEEP IT FOR FUTURE TROUBLESHOOTING AND REFERENCE.

WARNING

This machine is intended for use in domestic and similar applications such as kitchen areas for staff in stores, offices and other work environments, rural accommodation and hotels, motels and other residential-type environments, bed and breakfast environments, catering services and similar non-retail applications.

The installation of this equipment should be done by the Technical Assistance Service department.

The socket should always be placed on an accessible location.

When positioning the appliance, ensure that the power cable is not trapped or damaged.

Do not place multiple portable socket outlets or portable power sources in the rear of the appliance

ALWAYS disconnect the power supply from the machine BEFORE any cleaning or maintenance service.

Any change needed on the electrical installation for the appropriate connection of the machine, should be exclusively performed by qualified and certified professional personnel only.

Any use by the ice maker not intended to produce ice, using drinking water, is considered inappropriate.

It is extremely dangerous to modify or intend to modify this machine and shall make any type warranty void.

This device is not intended for use by persons (including children) whose physical, sensory or mental capacities are limited, or who lack sufficient experience or knowledge, unless they are acting under the supervision of or have received instruction regarding proper use of the device from a person responsible for their safety. Children should be supervised to ensure they do not play with the device.

Children should be monitored to assure that they should not play near the equipment.

This machine is not intended to be used outdoors nor exposed to the rain. Connect the equipment to the drinking water network. See section 3 of this manual.

The machine should be connected using the power cable supplied with the equipment. The connection is not intended for fixed cabling.

This appliance uses flammable refrigerant (propane), stored in the unit's refrigeration circuit.

For this reason, the following precautions should be followed:

- Maintain without obstruction the openings intended for ventilation of the enclosure of the appliance or of the recess.
- Do not use mechanical devices or other means to accelerate defrosting, using only those recommended by the manufacturer.
- Do not damage the refrigeration circuit.
- Do not use electrical devices inside the food compartments unless they have been approved by the manufacturer.
- Explosive substances, such as aerosols with flammable propellant, should not be stored in this machine.

In case of refrigerant leakage:

- Do not generate any flame in the vicinity of the appliance.
- Do not operate on/off switches or plug/unplug power cables in the vicinity of the appliance.
- Do not use a direct flame.
- Ventilate the area around the appliance immediately by opening doors and windows.
- Notify an authorized service technician.

IT IS MANDATORY TO GROUND THE EQUIPMENT
To avoid possible discharges on individuals or damages to the equipment, the machine should be grounded pursuant local and/or national regulations as the case may be.
THE MANUFACTURER SHALL BE HELD HARMLESS IN CASE OF DAMAGES ARISING DUE TO THE LACK OF THE GROUND INSTALLATION.
SEE SECTION 4 OF THIS MANUAL

In order to assure the proper operation and efficiency of this equipment, it is of paramount importance to follow the recommendations of the manufacturer, SPECIALLY THOSE RELATED TO CLEANING AND MAINTENANCE OPERATIONS, which should be performed mostly by qualified personnel only.

CAUTION:

Do not try to perform repairs. The intervention of non-qualified personnel, besides of being dangerous, could result in serious malfunctioning. In case

of damages, contact your distributor. We recommend to always use original replacement and spare parts.

Perform all discharge and recovery of materials or waste according to the national regulations in force.

RECEPTION OF THE MACHINE

Inspect the outside packing. In case of damages, MAKE THE CORRESPONDING CLAIM TO THE CARRIER.

To confirm the existence of damages, UNPACK THE MACHINE IN THE PRESENCE OF THE CARRIER and state any damage on the equipment on the reception document, or on a separate instrument. As from May 1, 1998 complies with the European regulations on management of packing and packing waste, inserting the "Green Dot Label" on all their packages.

Always state the machine number and model. This number is printed on three locations:

Packing

On the outside, it contains a label with the manufacturing number.

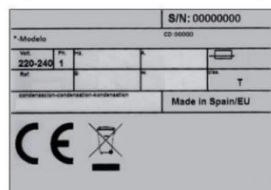
Exterior of the equipment

On the back of the equipment, there appears a label with the same characteristics as the previous one.

Nameplate

On the back of the machine.

Check that in interior of the machine the installation kit is complete.



Consisting of:

Air condensed machines: Ice shovel, 3/4 gas connection, drain hose 22mm. 1 filter and manual.

Water condensed machines: Ice shovel, 2 inlet 3/4 gas, drain hose 22mm. 2 filters and manual.

CAUTION: ALL PACKING ELEMENTS (plastic bags, carton boxes and wood pallets) SHOULD BE KEPT OUTSIDE THE REACH OF CHILDREN, AS THEY ARE A SOURCE OF POTENTIAL HAZARD.

INSTALLATION EMPLACEMENT GUIDELINES

THIS ICE MAKER IS **NOT** DESIGNED FOR OUTDOOR OPERATION.

An incorrect installation of the equipment may cause damages to individuals, animals or other materials, being the manufacturer not responsible for such damages.

CAUTION:

The NG DP machines are designed to operate at room temperature between 10°C (50°F) and 43°C (109.40°F).

There may be some difficulties in ice- cube removal under the minimum temperatures. Above the maximum temperature, the life of the compressor is shortened and the production is substantially less.

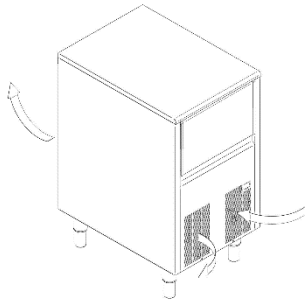
The air flow in air-condensed machines enters through the front grille, entering on the right front and exiting on the left front side. In addition, the unit is equipped with a rear air vent. Do not obstruct the front grille with any objects.

The unit can operate embedded, but with a reduction in output.

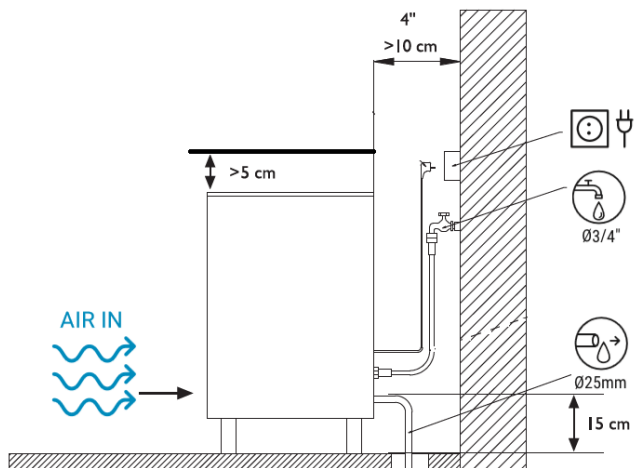
In case the front louver is not enough, the exit is either total or partially obstructed or due to its placement it will receive hot air from another device, we recommend, in case it is not possible to change the location of the machine, TO INSTALL A WATER COOLED UNIT.

IT IS IMPORTANT THAT THE WATER PIPING DO NOT PASS BY OR NEAR SOURCES OF HEAT SO AS NOT TO LOSE ICE PRODUCTION.

The machines expel hot air through the grids and this air has to go to the environment and not accumulate. This is particularly important with the air ejected from the back of the machines: you must leave a space to the wall of a minimum 10 cm, allowing air to flow from behind and with an exit so that there is a renewal of the same, avoiding the formation of hot air pockets in this area that could reduce the ice production of the machine and even activate its overheating protector and cause it to stop.



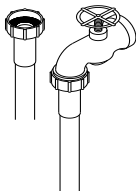
THREAD THE SUPPORT LEGS TO THE BASE OF THE MACHINE ON THE HOUSING SET TO SUCH END AND REGULATE THE HEIGHT AS TO HAVE THE EQUIPMENT PERFECTLY LEVELED.



Exits/renewals of the air between the rear of the machine and the wall must be provided for.



Water quality has a remarkable influence on the appearance, hardness and flavor of the ice as well as, on the machines condensated by water, on the life of the condenser.



Connections to the Water Network

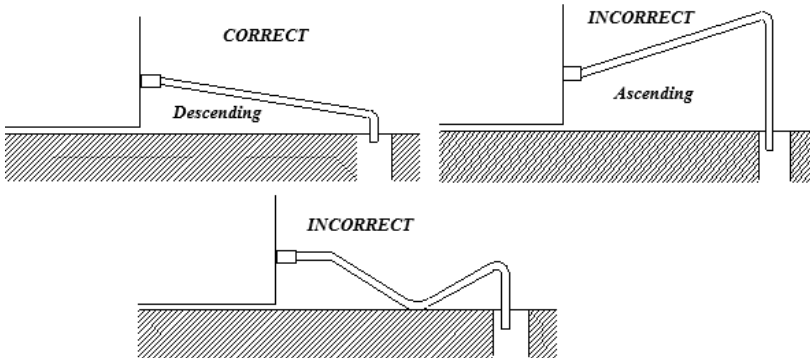
Use a flexible pipe (1.3 m – 4.27 feet length) with the two filter joints supplied with the machine. Arrange the necessary appliances according to regulations or current norms to prevent water return to the network.

Pressure should be established between 0.1 MPa and 0.6 MPa (1-6 BAR)

If pressures overpass such values, install the necessary corrective devices.

Connection to Drainage

Drainage should be located lower to the machine level, at 150 mm (5.91 inches) minimum. It is convenient that the drainage pipe is of 30 mm (1.18 in) of interior diameter and with a minimum gradient of 3 cm (1.18 in) per meter (see figure).



IT IS MANDATORY TO GROUND THE EQUIPMENT
To avoid possible discharges on individuals or damages to the equipment, the machine should be grounded pursuant local and/or national regulations as the case may be.
THE MANUFACTURER SHALL BE HELD HARMLESS IN CASE OF DAMAGES ARISING DUE TO THE LACK OF THE GROUND INSTALLATION.

Electrical Connection:

Caution:

- The positioning of the device must ensure that the power connection is not damaged or pinched.
- Do not install multiple portable power outlet strips or other portable power supplies in back of the device.

The machine is supplied with a 1.5 m (4.92 feet) cable of length. In case the supply cable is damaged, it should be replaced by a cable of special assembly to be furnished by the manufacturer or post-sale service. Such replacement should be performed by qualified technical service only.

The machine should be placed in such a way as to allow a minimum space between the back and the wall to allow an easy access and without risks to the cable jack.

Safeguard the base of the jack.

It is advisable to install a power switch and the appropriate electrical safety devices in accordance with local and/or national regulations in each case.

Voltage and tension are indicated in the nameplate and on the technical specifications of this manual. Variation on voltage above the 10% stated on the nameplate could result on damages or prevent the machine start-up.

START-UP

Previous Checkup

- a) Is the machine leveled?
- b) Voltage and frequency are the same as those on the nameplate?
- c) Are the discharges connected and operating?

** If air condensed: Is the air circulation and its temperature appropriate?

	ROOM	WATER
MAXIMUM	43°C (109.40°F)	35°C (95°F)
MINIMUM	10°C (43°F)	5°C (35°F)

** Is water pressure appropriate?

MINIMUM	0.1 MPa (1 Bar)
MAXIMUM	0.6 MPa (6 Bar)

NOTE: In case input water pressure is higher that 0,6 MPa (6 Bar) install a pressure reducer. THE FAUCETCONNECTION PRESSURE SHOULD NEVER BE REDUCED.

START-UP

Once the installation instructions are followed (ventilation, site conditions, temperatures, water quality, etc.), proceed as follows:

- 1) Connect to drinking water network. Open the water inlet. Verify the existence of leakages.
- 2) Open the door and remove the protection elements that are inserted on the curtain.
- 3) Connect the machine to the electrical network.
- 4) Verify that there are no vibrations or frictions on the elements.
- 5) Verify that the curtain moves freely.
- 6) The machine has a timer governing startup, allowing for water to be recharged for the production cycle
- 7) Verify that the nozzles send the water to the evaporator on the right direction (even spread).
- 8) Check the cubes after two cycles; they should be uniform in shape. If they do not come out correctly, or the unit does not make ice, contact an authorized service technician.
- 9) The unit produces ice until the bin is full, using a stop sensor. When the ice is removed from the bin, the unit will once again produce ice.

CAUTION:

INSTRUCT THE USER ABOUT MAINTENANCE, INFORMING THAT

MAINTENANCE AND CLEANING OPERATION AS WELL AS DAMAGES DUE TO THE LACK OF SUCH OPERATIONS: ARE NOT INCLUDED ON THE WARRANTY.

MAINTENANCE AND CLEANING INSTRUCTIONS

CAUTION: Maintenance and cleaning operations and damages as the lack of those activities: Are not included on the warranty.

If a good maintenance is performed, the machine will continue producing a good quality ice and will be free of damages.

Maintenance and cleaning intervals will depend on the conditions of the location and water quality.

CAUTION: At least, one revision and cleaning should be performed every six months.

On dusty environments, it might be necessary to clean the condenser on a monthly basis.

MAINTENANCE AND CLEANING PROCEDURES

NOTE: For cleaning and maintenance: ensure that the machine is disconnected from electrical supply, except when cleaning the production bin.

Water condenser

- 1) Disconnect the machine.
- 2) Disconnect the water inlet or close the faucet.
- 3) Disconnect the water inlet and outlet from the condenser.
- 4) Prepare a solution at the 50% of phosphoric acid and distilled or demineralized water.
- 5) Make the solution circulate through the condenser. (The solution is more effective if hot – between 35°C [95°F] and 40°C [104°F]).

DO NOT USE HYDROCHLORIC ACID.

Air Condenser

- 1) Disconnect the machine.
- 2) Disconnect the water inlet or close the faucet.
- 3) Clean the louvered area with the help of an aspirator with a brush, non-metallic brush or low-pressure air.

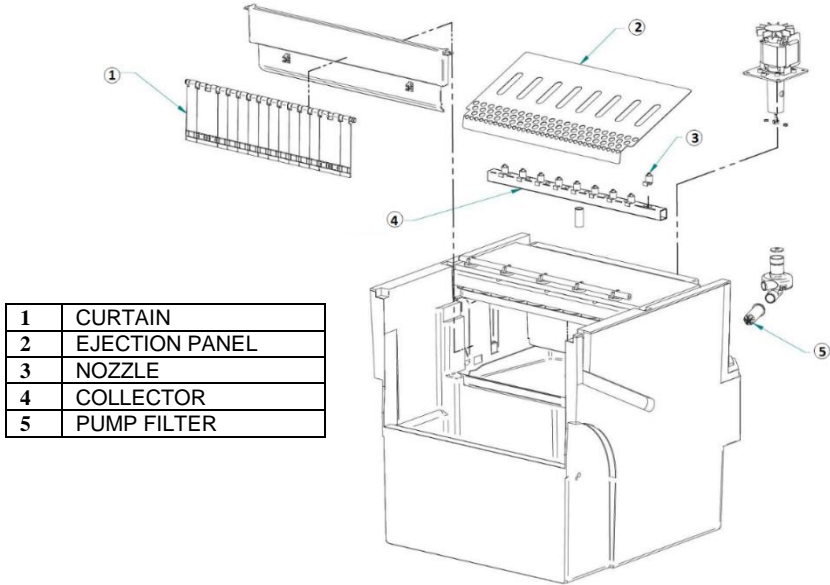
Cleaning the ice bin and exterior.

- 1) Disconnect the machine, switch off the water supply and empty the ice bin.
- 2) Clean with a soft kitchen cloth, plenty of water and a mild detergent.

Collectors and Nozzles

- 1) Remove the curtain. (Take the time to clean it with phosphoric acid, clean with bleach and clear under water).
- 2) Remove the louver of ice drop. (Clean as done with the curtain).
- 3) **PULL THE COLLECTOR UPWARDS. IT IS PRESSURE MOUNTED.**
- 4) Disassemble the nozzles and lids and clean them.
- 5) Disassemble and clean the main head filter. **(IT IS PRESSURE MOUNTED).**

6) Assemble the filter, nozzles and collector.



CAUTION: IT IS VERY IMPORTANT WHEN REPLACING THE CONTAINER THAT THE NOZZLES ARE PERPENDICULAR, AS IF TWISTED, THE EXTERNAL CUBES COULD RUN OUT OF WATER.

Cleaning of the Inlet filters

They are easily obstructed during the first days of operation, MAINLY WITH NEW PIPING INSTALLATIONS.

Loose the hose and clean it under water.

Water Leak Control

When working on the machine, always check the water connections, status of the clamps and hoses with the purpose of avoiding leakages and prevent damages or floods.

WATER QUALITY & WARRANTY

In areas with water hardness outside the range of 15°F to 40°F, water filters or descaling systems are required to protect the ice machine. The Warranty will cease to exist if the mentioned protective measures haven't been applied where needed.