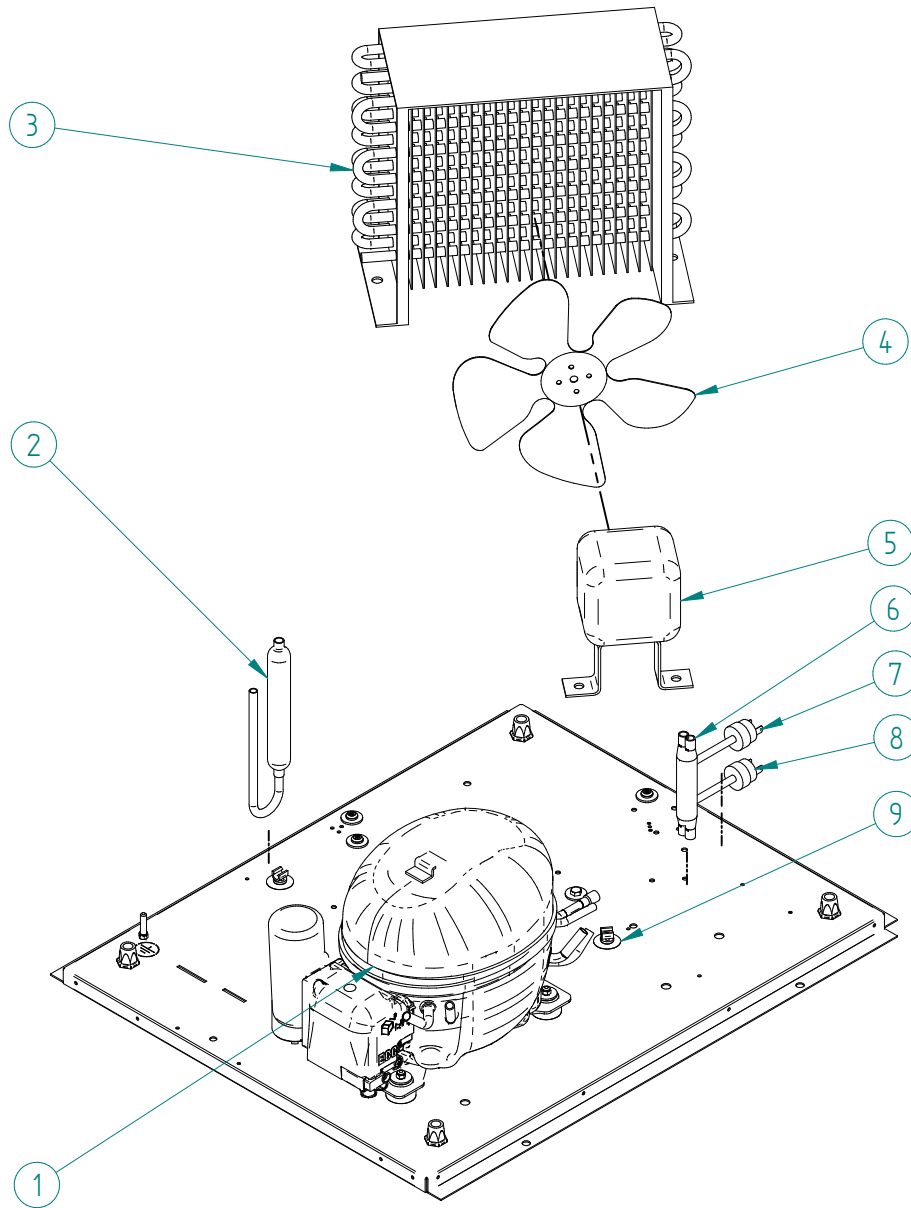




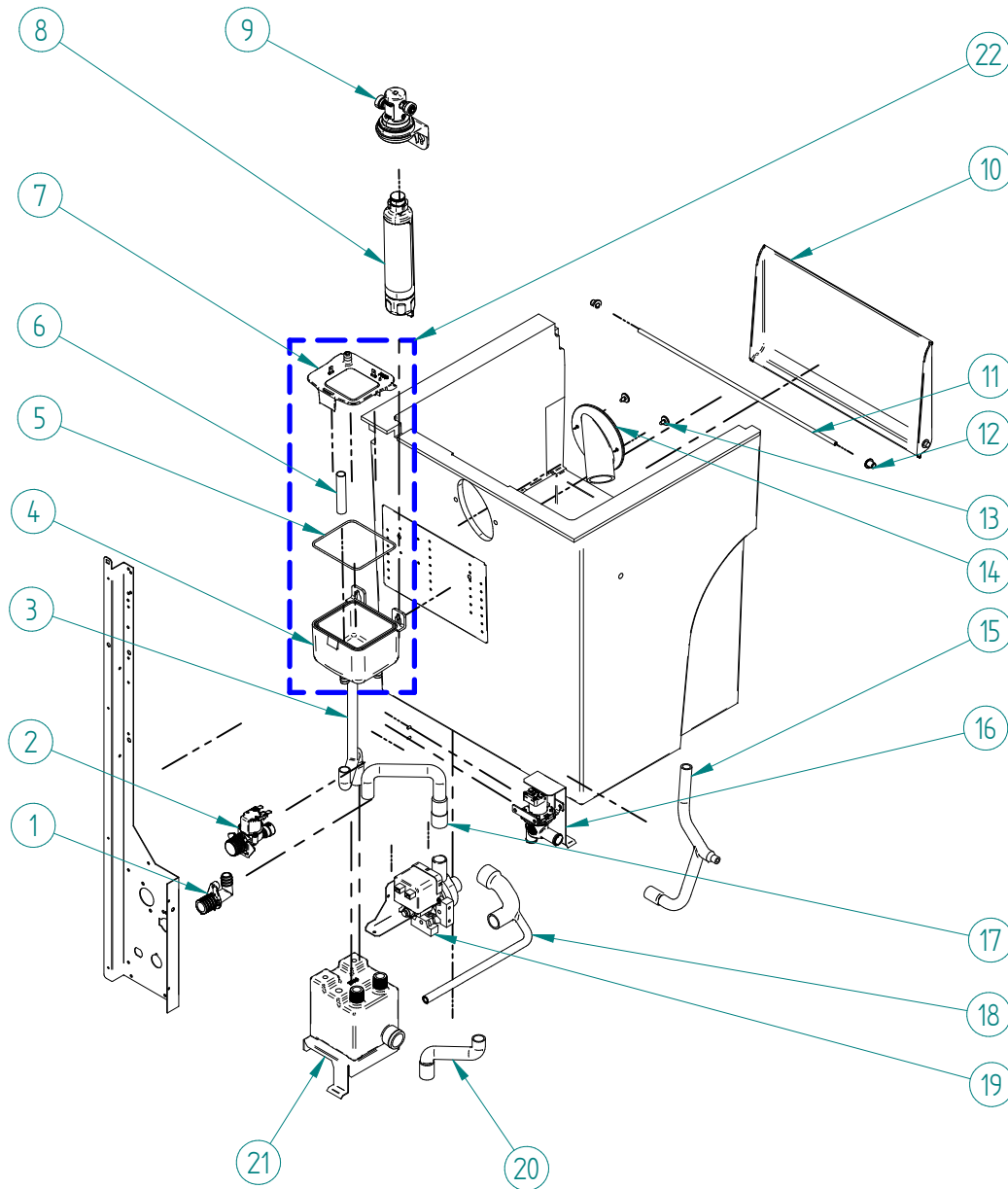
ITV
ICE makers



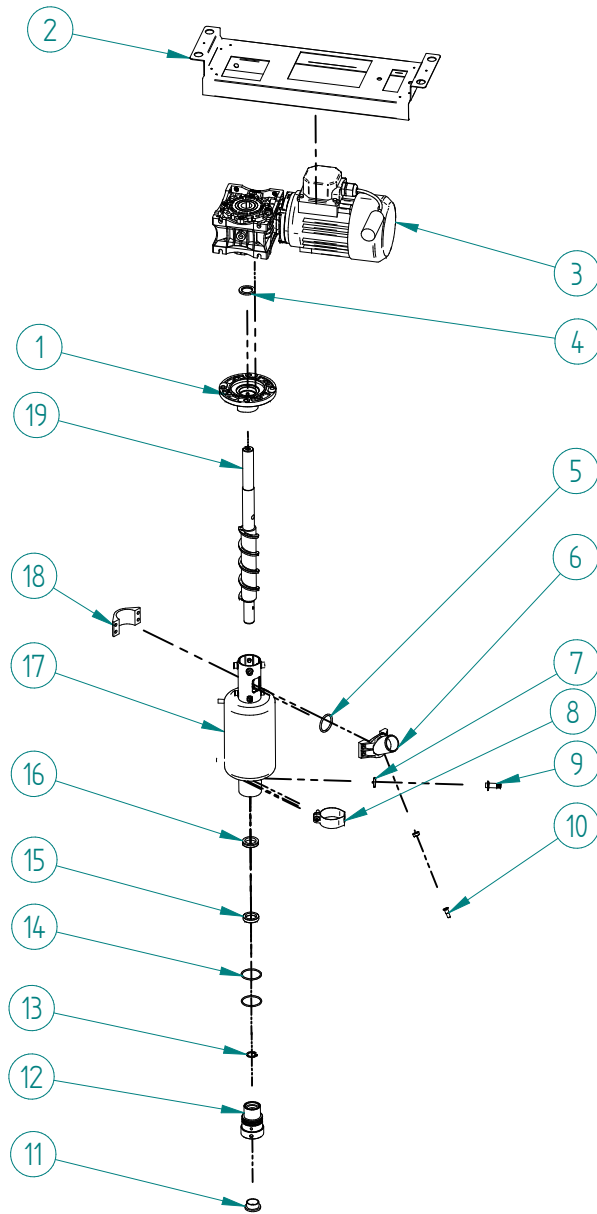
DESPIECE / REPUESTOS
EXPLODED VIEW / SPARE PARTS
EXPLOSIONSZEICHNUNG / ERSATZTEILE
VUE ÉCLATÉE / PIÈCES DÉTACHÉES
ESPLOSO / RICAMBI



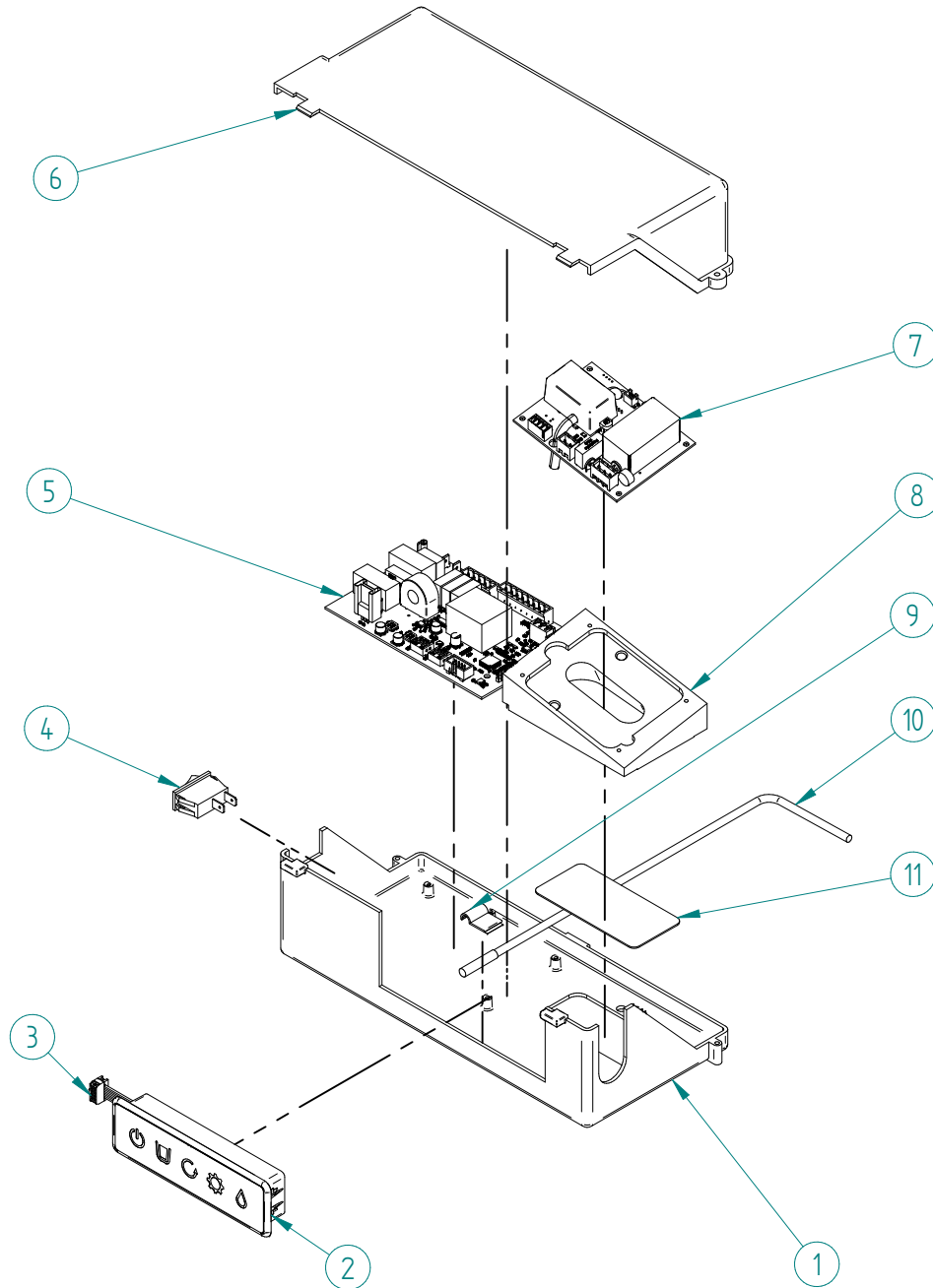
ITEM	DESCRIPTION	50	90
1	COMPRESSOR 220V/50HZ	31300	31301
2	FILTER DRIER		7896
3	AIR CONDENSER		491
4	FAN BLADE	4040	4887
5	FAN MOTOR 220V/50HZ	2170A	960
6	PRESSURE SWITCH COLLECTOR		31444
7	FAN CONTROL PRESSURE SWITCH		31160E
8	HIGH PRESSURE SWITCH		31660E
9	PLASTIC CLIP 1/4"		3533



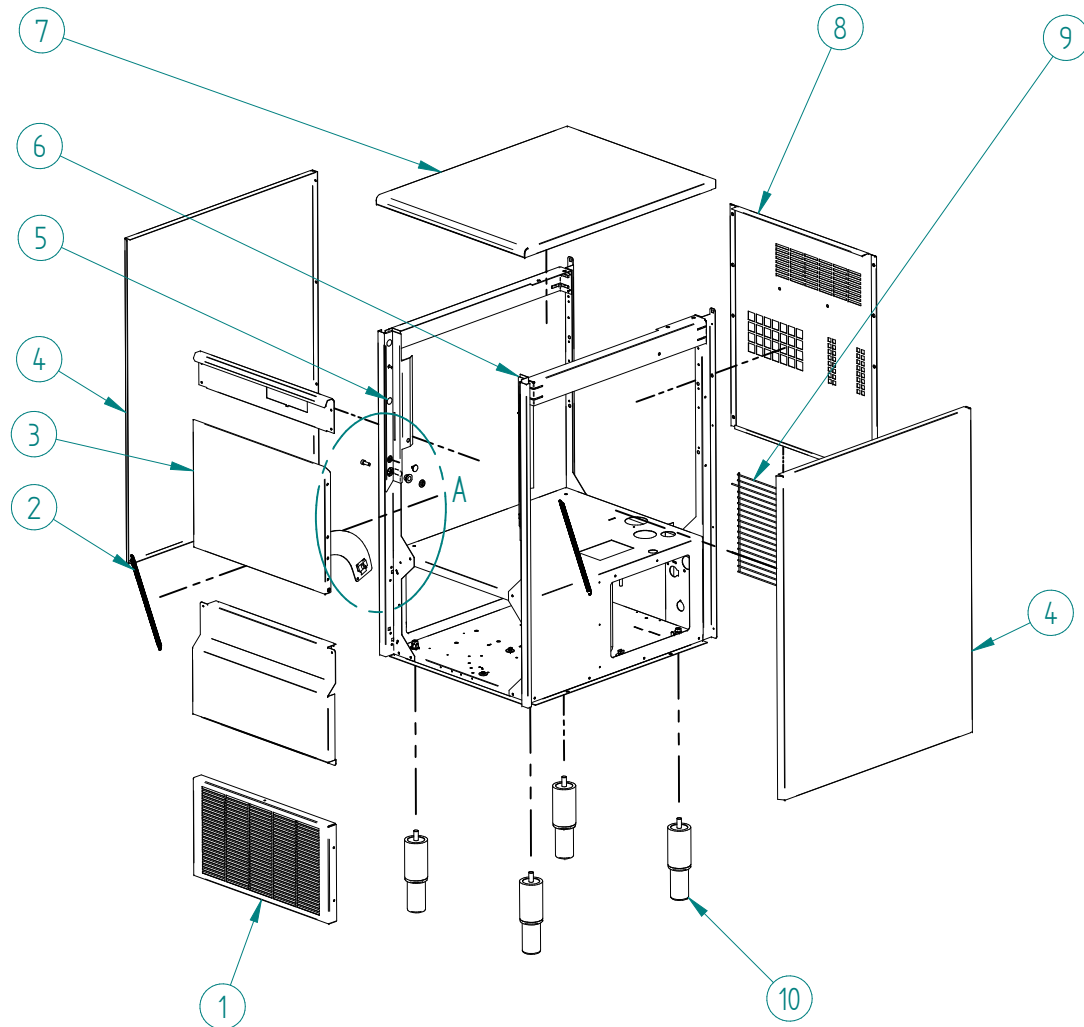
ITEM	DESCRIPTION	50-90
1	DRAIN FITTING	30850
2	INLET WATER VALVE	35023
3	DRAIN TUBE	34410
4	STOCK BIN	34122
5	O-RING	34150
6	OVERFLOW TUBE	2505
7	COVER WITH ELECTRODES	34123
8	WATER FILTER CARTRIDGE 3M	34813
9	WATER FILTER HEAD 3M	34814
10	DOOR SUPPORT	1123
11	THERMOSTAT TUBE	5219
12	THERMOSTAT JOINT	666
13	SCREW	113
14	OUTLET ICE TUBE	1053
15	DRAIN VALVE	33550
16	WATER VALVE	6182
17	DRAIN FORCE TUBE	32457
18	DRAIN TUBE	32455
19	DRAIN PUMP	32624
20	DRAIN FORCE TUBE DISCHARGE BIN	32636
21	DRAIN CUBE	32440
22	WATER BIN ASSEMBLY (From 4 to 7)	34552



ITEM	DESCRIPTION	50-90
1	BRIDE/PLATE	109
2	GEAR MOTOR SUPPORT	6044
3	GEAR MOTOR	220V/50HZ 6486
4	WASHER	6072
5	O-RING	1391
6	EVAP OPENING	1007
7	DRAIN	785
8	O-RING	1006
9	WATER INLET	1005
10	WATER ENTRY	211
11	STOPPER	92
12	SNAP RING	1390
13	LOWER BEARING	97B
14	JUNTA TORICA COJINETE	86
15	RETAINING RING	75
16	V-RING	80
17	EVAPORATOR	7012C
18	EVAP OPENING FLANGE	1008
19	AUGER	115E
20	SET EVAPORATOR (From 5 to 19)	6037C



ITEM	DESCRIPTION	50-90
1	ELECTRIC BOX	4791CO
2	LEDS PANEL	30566B
3	WIRE PANEL	34162
4	ON/OFF SWITCH	2300
5	ELECTRONIC BOARD 220V/50Hz	33799A
6	ELECTRIC BOX COVER	4790
7	HYGIENIZATION BOARD 220V/50Hz	34639
8	HYGIENIZATION BOARD SUPPORT	34777
9	CLAMP	34795
10	SENSOR	6178
11	ULTRAVIOLET PROTECTION	34992



ITEM	DESCRIPTION	50-90
1	FRONT LOUVER	34365
2	DOOR SPRING	702
3	DOOR ASSEMBLY	34636
4	BOTH SIDE PANEL	34632
5	LEFT DOOR GUARD	83
6	RIGHT DOOR GUARD	82
7	TOP PANEL	34630
8	REAR COVER	635A
9	REAR GRILL	1728
10	LEG	34802
11	DOOR SCREW	392
12	CLIP	113A
13	DOOR AXE BEARING	1001
14	DOOR AXE BUSHING	155
15	DOOR SCREW	156

