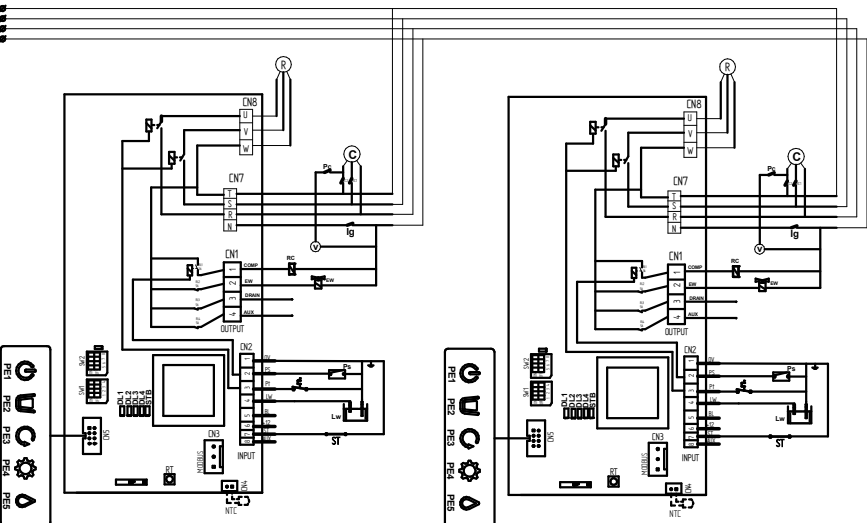


TRIFÁSICA 380V



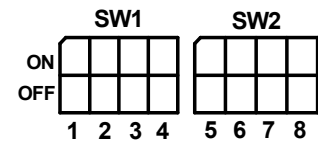
- Ps- Presostato de seguridad / High Pressure Control
- Pc- Presostato Condensación / Fan cycle control
- Pt- Protector termico / Motor Thermal Protection
- C- Compresor / Compressor
- V- Ventilador / Fan
- LW- Sonda nivel agua / Water level probe
- Ig- Interruptor On-Off / On-Off Switch
- R- Motor reductor / Gearmotor
- BL- Bloqueo salida hielo / Ice outlet block
- EW- Electroválvula entrada agua / Water inlet valve
- EV- Electroválvula vaciado / Drain valve
- K- Electroválvula Condensacion / Cooling valve
- NTC- Sonda stock / Stock Sensor
- RT- Pulsador / Push-button
- RL- Relé / Relay
- SL- Salida libre (5A) / Free output (5A)
- ST- Parada stock / Stock stop

Panel externo / External panel

- PE1 - Pulsador / Push ON/ OFF + LED bicolor
- Rojo - Apagado / Red - Off
- Azul fijo - Encendido / Fixed blue - On
- Azul Intermitente-Temporización / Blue Flashing-Timing
- PE2 - LED fijo almacén lleno / Fixed LED Full Stock
- PE3 - LED Fallo del motorreductor / LED Gear motor error
- PE4 - LED Fallo de presostato, atasco boca de salida o falta de consumo de agua / LED Pressure switch fault, ice outlet block or lack of water consum
- PE5- LED Falta de agua / LED Lack of water

LEDs ALARMAS (intermitente) / alarms (flashing intermittent)			
	1 intermitente / 1 intermittent	2 intermitentes / 2 intermittents	3 intermitentes / 3 intermittents
DL1	Presostato de alta Ps / High pressure control		
DL2	Baja intensidad del reductor / Low intensity on gearmotor	Alta intensidad del reductor / High intensity on gearmotor	Entrada Pt del reductor / Pt from gearmotor
DL3	Atasco salida hielo / Ice outlet block		
DL4	Falta nivel agua / Water level problem	Falta consumo de agua / Water consumption error	
DL1+D L2	NTC corto / NTC short	NTC abierta / NTC open	

- I Azul /Blue
- VI Violeta /Violet
- II Rojo / Red
- VII Blanco / White
- III Marrón / Brown
- VIII Verde / Green
- IV Negro / Black
- IX Naranja / Orange
- V Gris / Grey
- X Amarillo / Yellow



DIP SW2				Intensidad (A)
5	6	7	8	
off	off	off	off	0,2-1
off	off	off	ON	0,5-1,2
off	off	ON	off	0,5-1,5
off	off	ON	ON	0,5-2
off	ON	off	off	0,7-1,5
off	ON	off	ON	0,7-2
off	ON	ON	off	0,8-1,8
off	ON	ON	ON	1-2,1
ON	off	off	off	1,2-2,3
ON	off	off	ON	1,8-3
ON	off	ON	off	2,2-3,5
ON	off	ON	ON	2,4-4,2
ON	ON	off	off	2,6-4
ON	ON	off	ON	2,8-4,5
ON	ON	ON	off	0,5-5
ON	ON	ON	ON	0,3-6

DIP SW1	Tª (°C)
2	3
off	off
off	2
ON	off
ON	5
ON	8

- LEDs trabajo normal (fijos) / normal work (fixed)**
- DL1 - Retardo de arranque / Start delay
 - DL2 - Marcha / On ice
 - DL3 -Parada stock lleno / Stop delay
 - DL4 - Stock lleno / Full stock