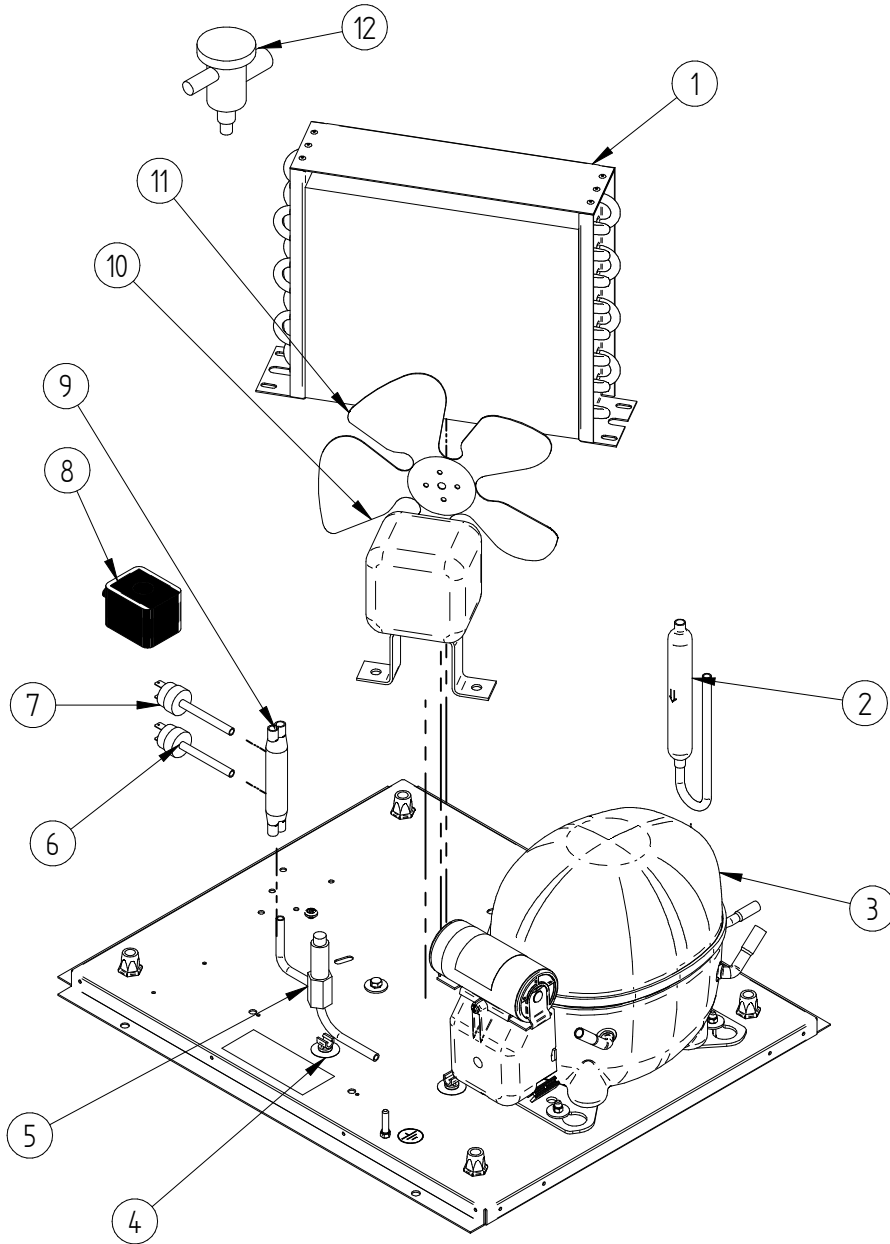


ITV
ICE makers



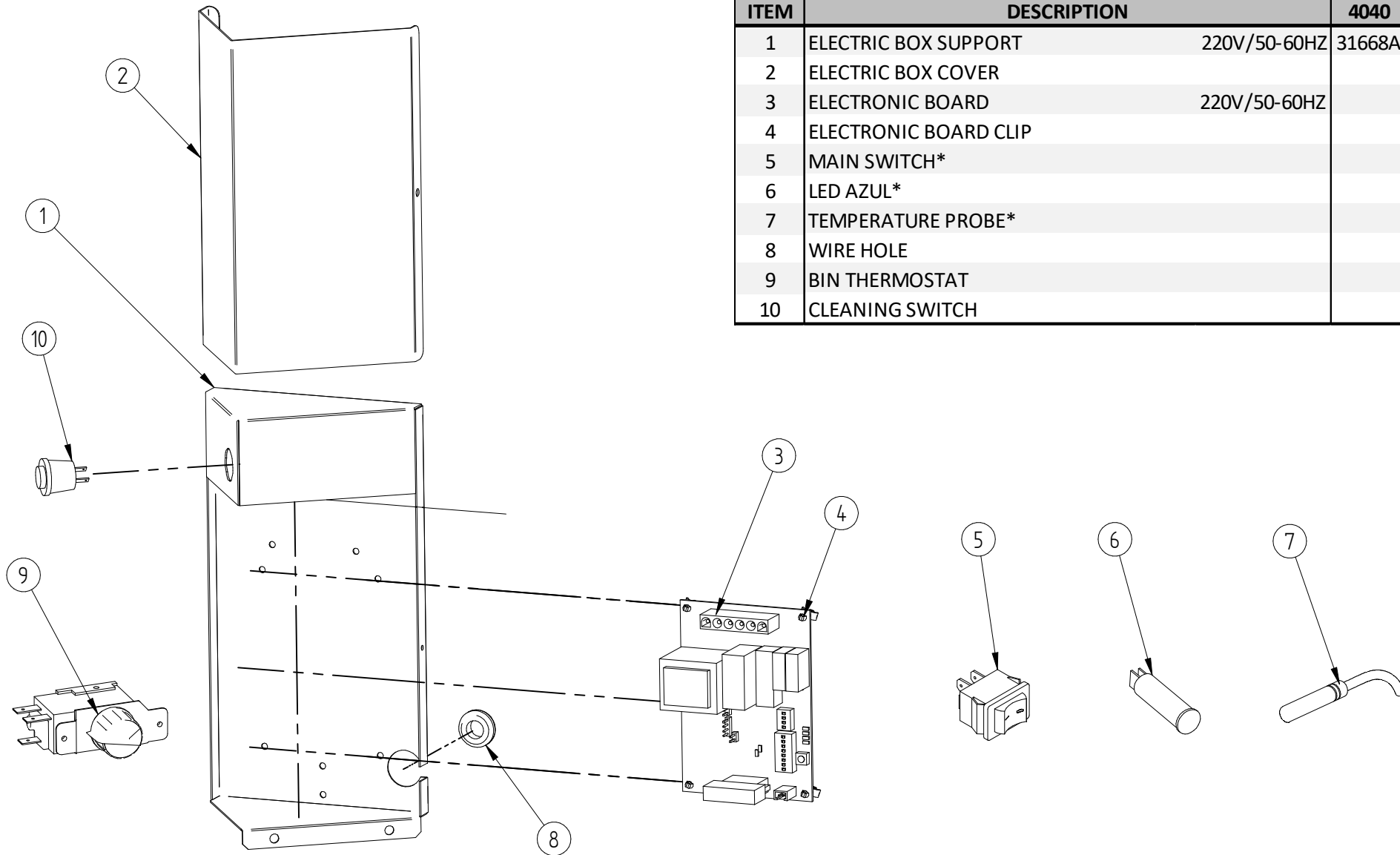
DESPIECE / REPUESTOS
EXPLODED VIEW / SPARE PARTS
EXPLOSIONSZEICHNUNG / ERSATZTEILE
VUE ÉCLATÉE / PIÈCES DÉTACHÉES
ESPLOSO / RICAMBI



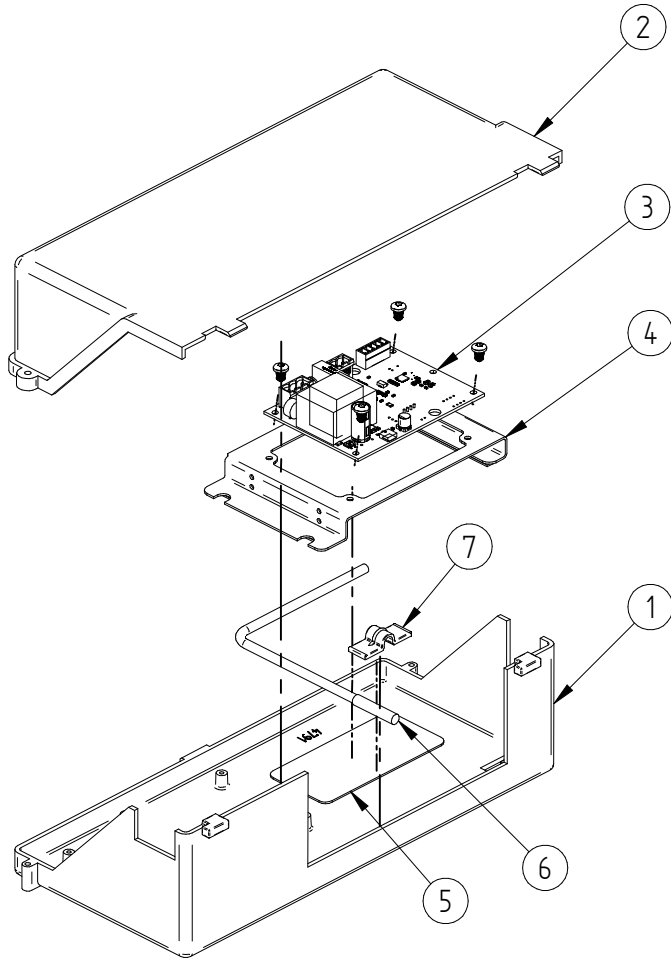
ITEM	DESCRIPTION	4040	5040	8040
1	AIR CONDENSER	31531	486A	32251
2	FILTER DRIER		7896	
3	COMPRESSOR* 40GR - 220V/50HZ	31302	33303	33305
4	CLIP TUBE		3533	
5	HOT GAS VALVE - BODY		1473	
6	HIGH PRESSURE SWITCH		31660E	
7	FAN CONTROL PRESSURE SWITCH		31160E	
8	HOT GAS VALVE - COIL 220V/50-60HZ		5173	
9	PRESSURE SWITCH COLLECTOR		31444	
10	FAN MOTOR 220V/50-60HZ	960		28
11	FAN BLADE		4887	
12	EXPANSION VALVE		N/A	

*TO PROVIDE SERIAL NUMBER

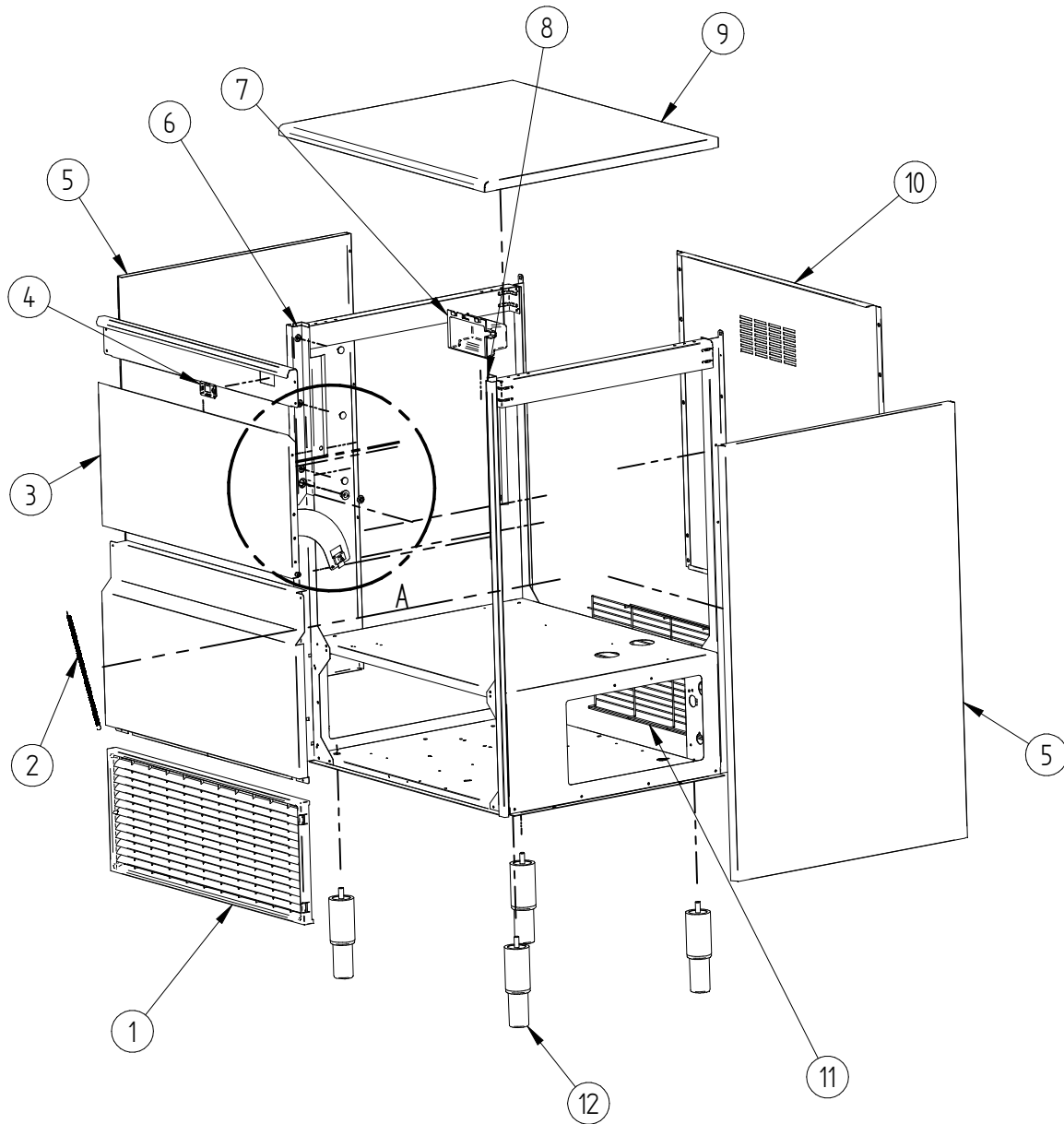
ITEM	DESCRIPTION	4040	5040	8040
1	ELECTRIC BOX SUPPORT 220V/50-60HZ	31668A		31570A
2	ELECTRIC BOX COVER		31667A	
3	ELECTRONIC BOARD 220V/50-60HZ		33614	
4	ELECTRONIC BOARD CLIP		31544	
5	MAIN SWITCH*		32416	
6	LED AZUL*		32415	
7	TEMPERATURE PROBE*		31708	
8	WIRE HOLE		31746	
9	BIN THERMOSTAT		31758	
10	CLEANING SWITCH		31719	



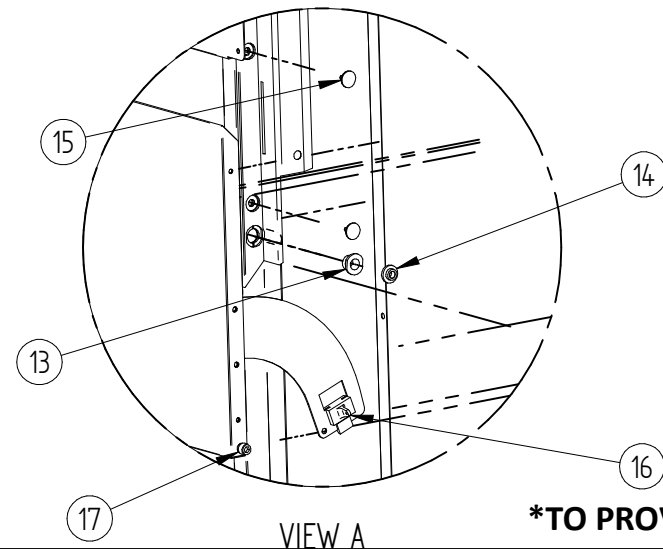
*TO PROVIDE SERIAL NUMBER



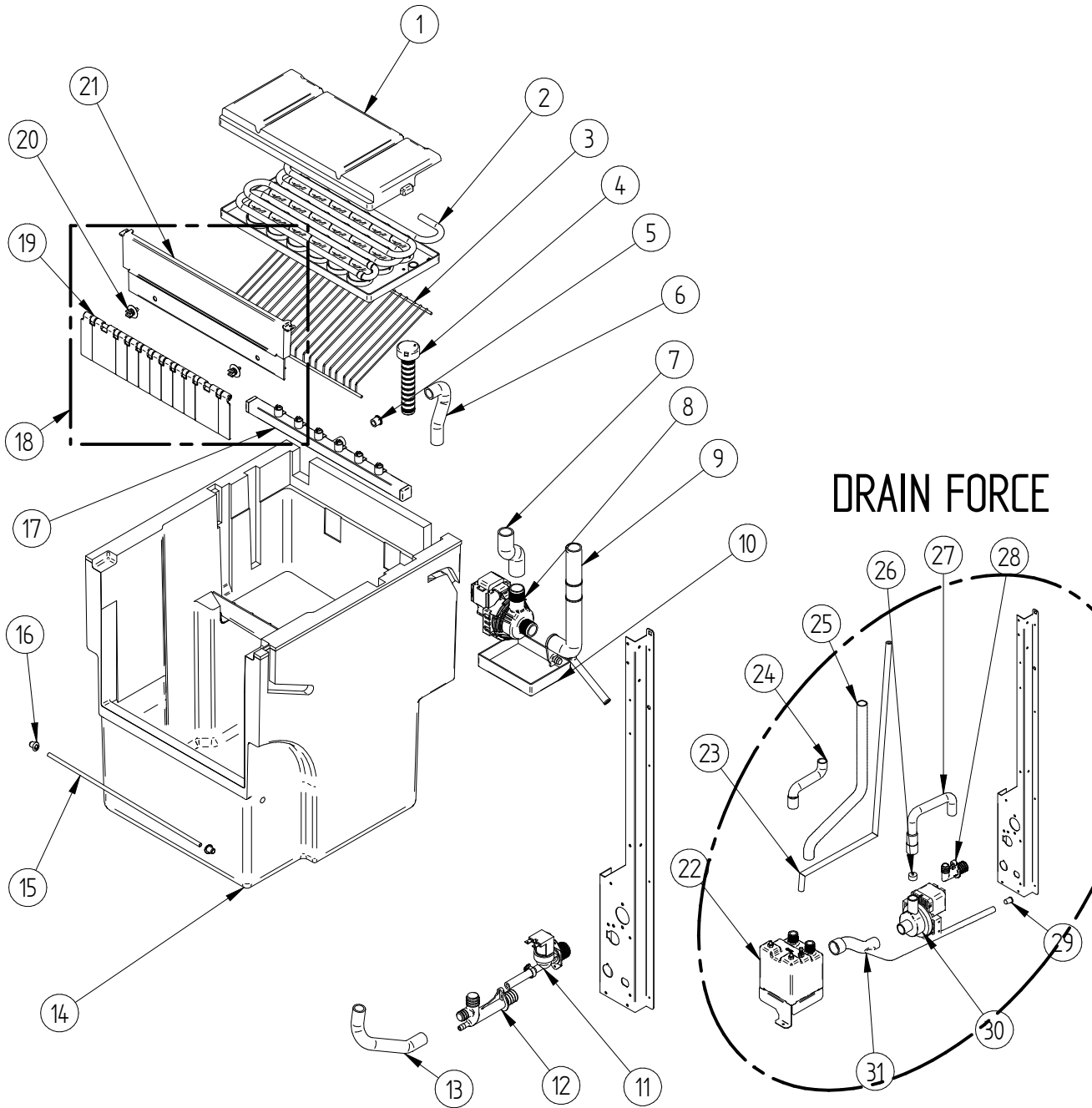
ITEM	DESCRIPTION	4040	5040	8040
1	ELECTRIC BOX BASE		35164	
2	ELECTRIC BOX COVER		4790	
3	ELECTRONIC BOARD 220V/50HZ		34994	
4	ELECTRONIC BOARD SUPPORT		35009	
5	PROTECTION PLASTIC WINDOW		34992	
6	MAGNETIC SENSOR		6178	
7	ADHESIVE CLAMP		35562	



ITEM	DESCRIPTION	4040	5040	8040
1	FRONT LOUVER	4185	4063	4188
2	DOOR SPRING		702	
3	DOOR ASSEMBLY	35226	35227	35229
4	MAIN SWITCH SUPPORT		32441	
5A	RIGHT PANEL*	35143	35145	35146
5B	LEFT PANEL*			
6	LEFT DOOR GUARD		83	
7	MAIN SWITCH BOX		31665	
8	RIGHT DOOR GUARD		82	
9	TOP PANEL	35139	35140	35142
10	REAR COVER*	4223	635A	1807A
11	REAR GRILL	6211	1728	2192
12	LEG		1478	
13	DOOR AXE BEARING		1001	
14	DOOR AXE BUSHING		155	
15	CLIP		113	
16	DOOR BUMPER		156	
17	DOOR SCREW		392	



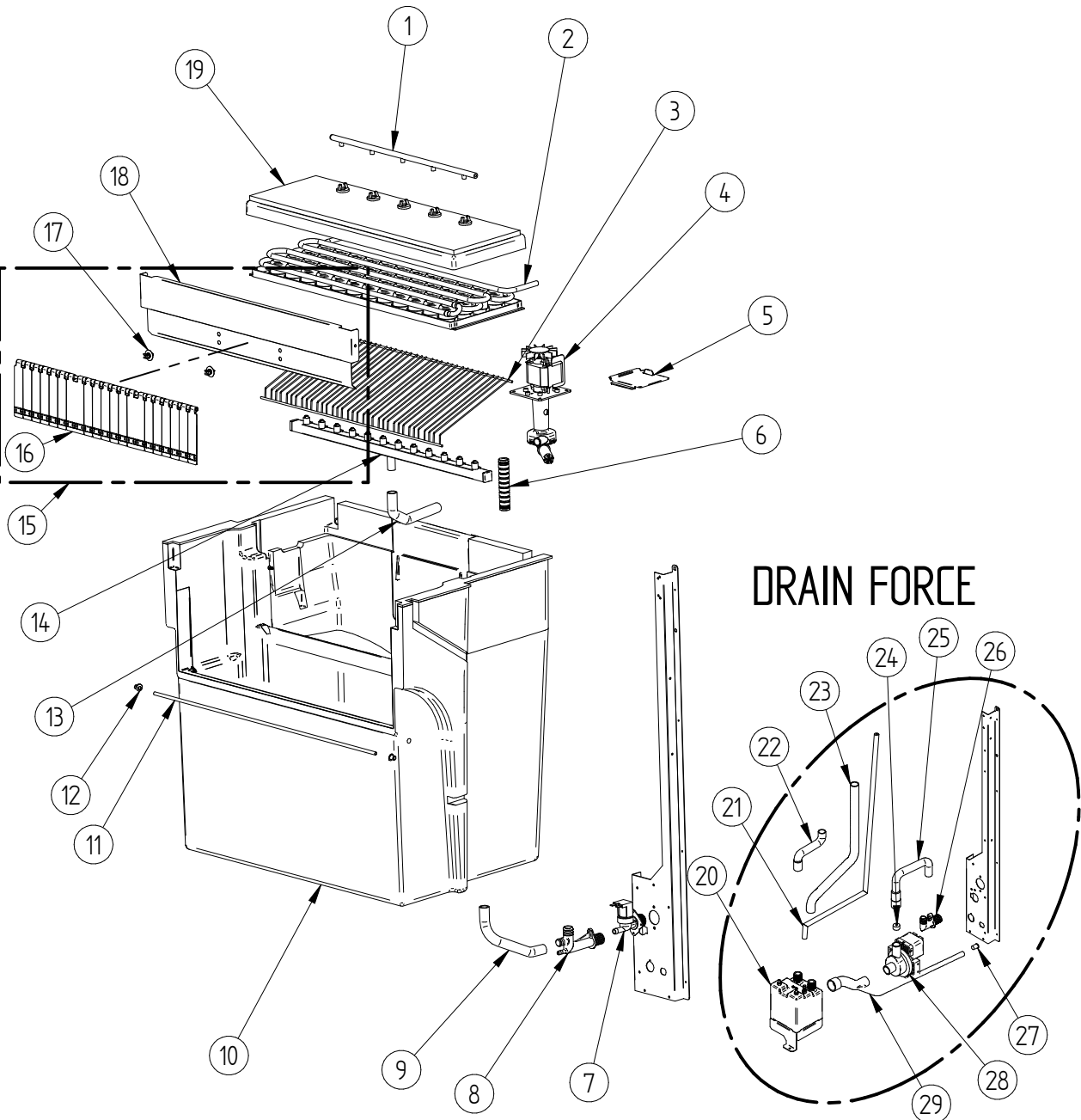
*TO PROVIDE SERIAL NUMBER



ITEM	DESCRIPTION	4040
1	EVAPORATOR COVER	4901
2	EVAPORATOR DELTA MAX 40GR	31384
3	ICE CUBES RAMP	31321
4	OVERFLOW PIPE KIT	4426K
5	WATER FLOW RESTRICTOR	805
6	UPPER WATER PUMP DISCHARGE TUBE	4960
7	LOWER WATER PUMP DISCHARGE TUBE	2223
8	WATER PUMP 220V/50HZ	4769
9	WATER PUMP SUCTION TUBE	4961
10	WATER PUMP TRAY	4521
11	INLET WATER VALVE 1B 220V/50HZ	1673
	INLET WATER VALVE 2B 220V/50HZ	6981+4526+6959
12	DRAIN FITTING	363
13	DRAIN TUBE	2222
14	BIN	7502
15	THERMOSTAT TUBE	5984
16	THERMOSTAT JOINT	666
17	SPRAY BAR	5969
188	CURTAIN ASSEMBLY KIT	5968K
19	CURTAIN ASSEMBLY	5968
20	CLIP TUBE	3533
21	CURTAIN HOLDER	4697

DRAIN FORCE

DRAIN FORCE		
22	DRAIN FORCE BUCKET SET	32625
23	VENT TUBE	1719
24	DRAIN FORCE TUBE DISCHARGE BIN	32636
25	DRAIN FORCE TUBE DISCHARGE WATER BIN	32471
26	CHECK VALVE RX3/4	32451
27	PUMP OUT DRAIN FORCE TUBE	32457
28	DRAIN FORCE FITTING	30850
29	PLUG	614
30	DRAIN FORCE PUMP 220V/50HZ	32624
31	DRAIN FORCE PUMP SUCTION TUBE	32470



ITEM	DESCRIPTION	5040	8040
1	WATER DISTRIBUTOR	N/A	911U
	EVAPORATOR DELTA MAX 40GR	31359B	31366A
3	ICE CUBES RAMP	34320	34589
4	WATER PUMP 220V/50HZ	5563	5405
5	WATER BIN COVER	1938	
6	OVERFLOW PIPE	4426K (KIT)	
	INLET WATER VALVE 1B* 220V/50HZ	6980 + 33033	
7	INLET WATER VALVE 2B* 220V/50HZ	6981 + 33033 + 4527	
8	DRAIN FITTING	363	
9	DRAIN TUBE	2222	
10	BIN	7452	7128
11	THERMOSTAT TUBE	5913	5422
12	THERMOSTAT JOINT	666	
13	WATER PUMP DISCHARGE TUBE	2148	
14	SPRAY BAR	7464	7335
15	CURTAIN ASSEMBLY KIT	5900K	32887K
16	CURTAIN ASSEMBLY	5900	32887
17	CLIP TUBE	N/A	3533
18	CURTAIN HOLDER	121A	31738
19	EVAPORATOR COVER	4433A	5406
DRAIN FORCE			
20	DRAIN FORCE BUCKET SET	32571	
21	VENT TUBE	1719	
22	DRAIN FORCE TUBE DISCHARGE BIN	32456	33376
23	DRAIN FORCE TUBE DISCHARGE WATER BIN	32453	33374
24	CHECK VALVE RX3/4	32451	
25	PUMP OUT DRAIN FORCE TUBE	32457	
26	DRAIN FORCE FITTING	30850	
27	PLUG	614	
		220V/50HZ	32624
28	DRAIN FORCE PUMP	220V/60HZ	32622
29	DRAIN FORCE PUMP SUCTION TUBE	32455	32470

***TO PROVIDE SERIAL NUMBER**