

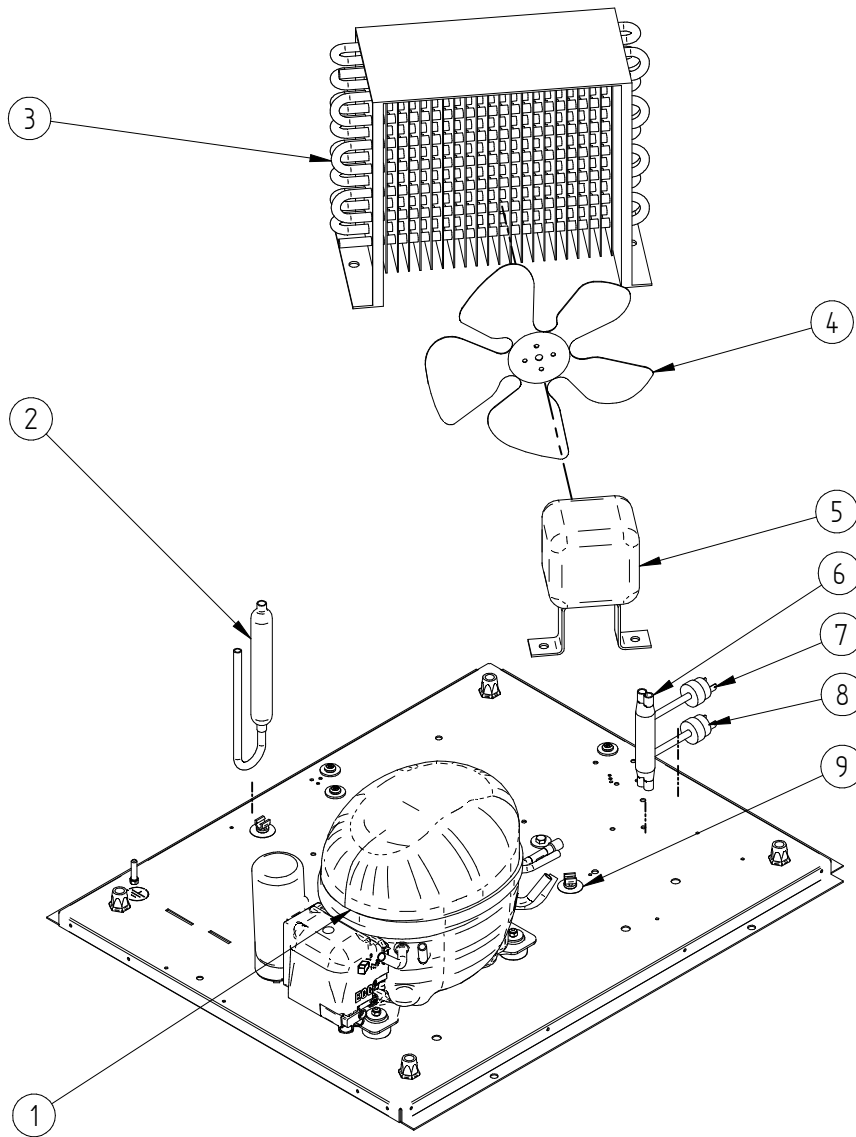


ELEGANCE DIAMOND

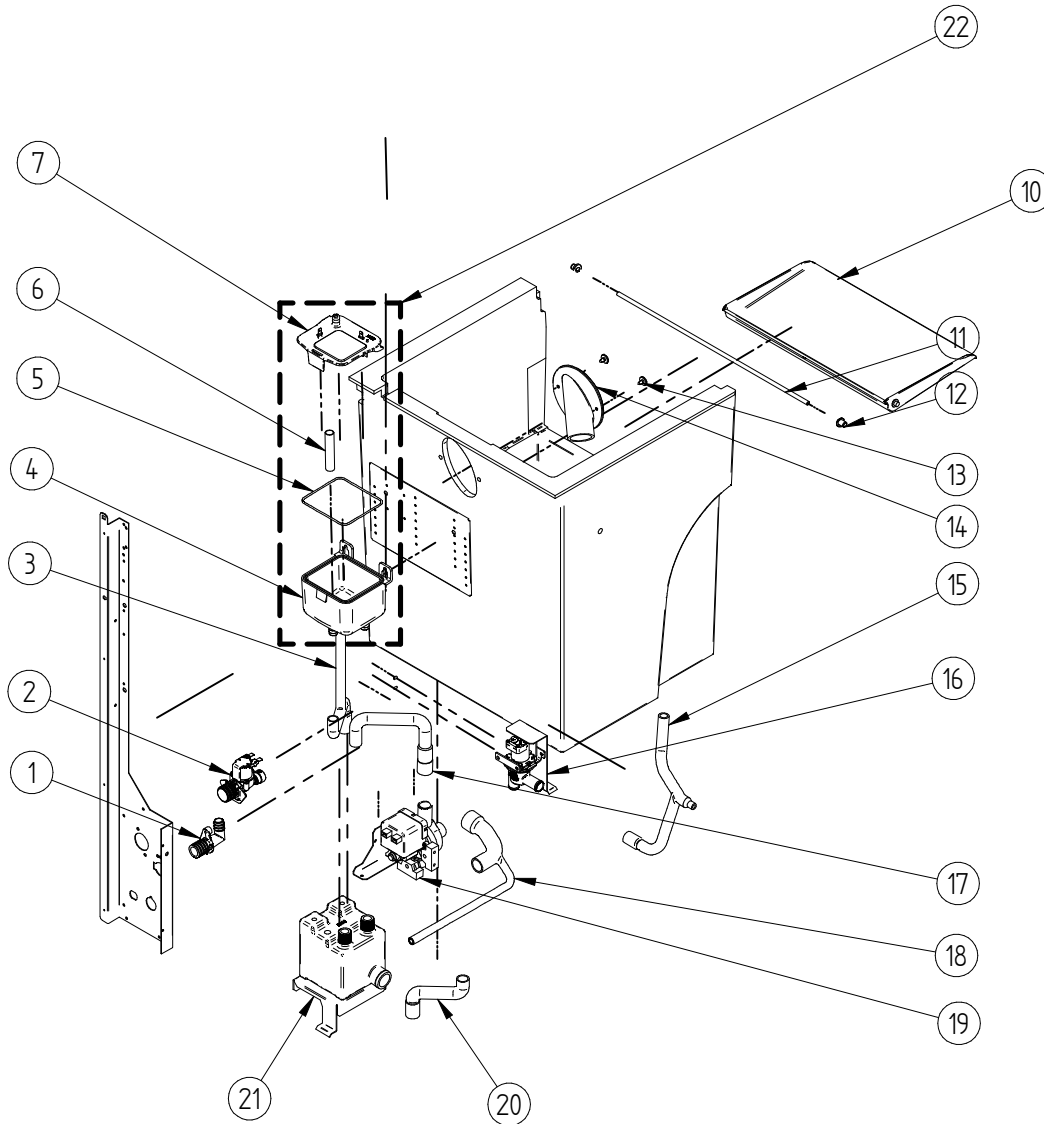
ITV
ICE makers



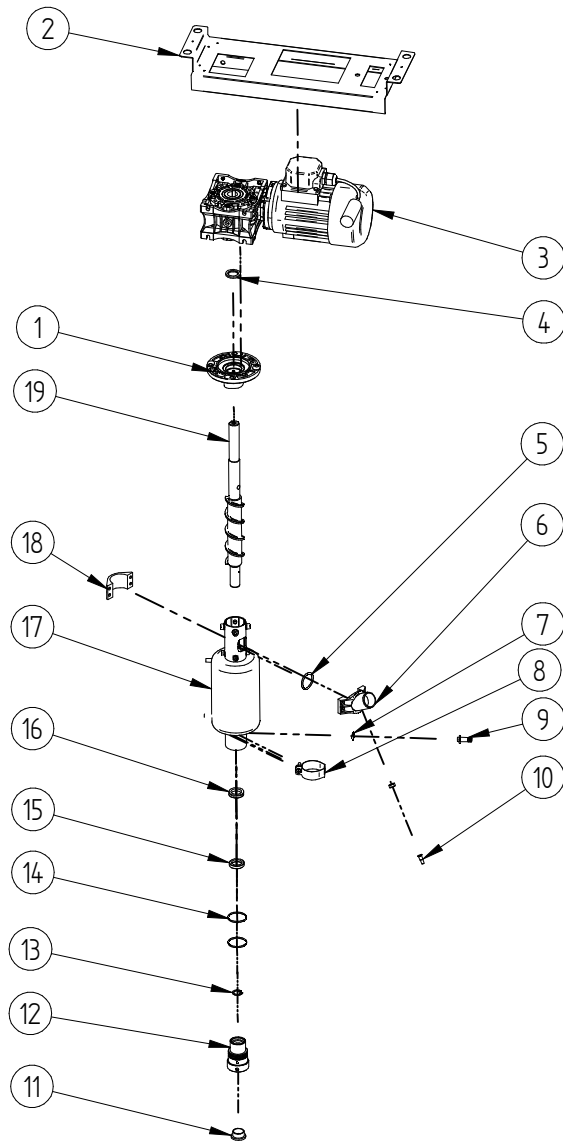
DESPIECE / REPUESTOS
EXPLODED VIEW / SPARE PARTS
EXPLOSIONSZEICHNUNG / ERSATZTEILE
VUE ÉCLATÉE / PIÈCES DÉTACHÉES
ESPLOSO / RICAMBI



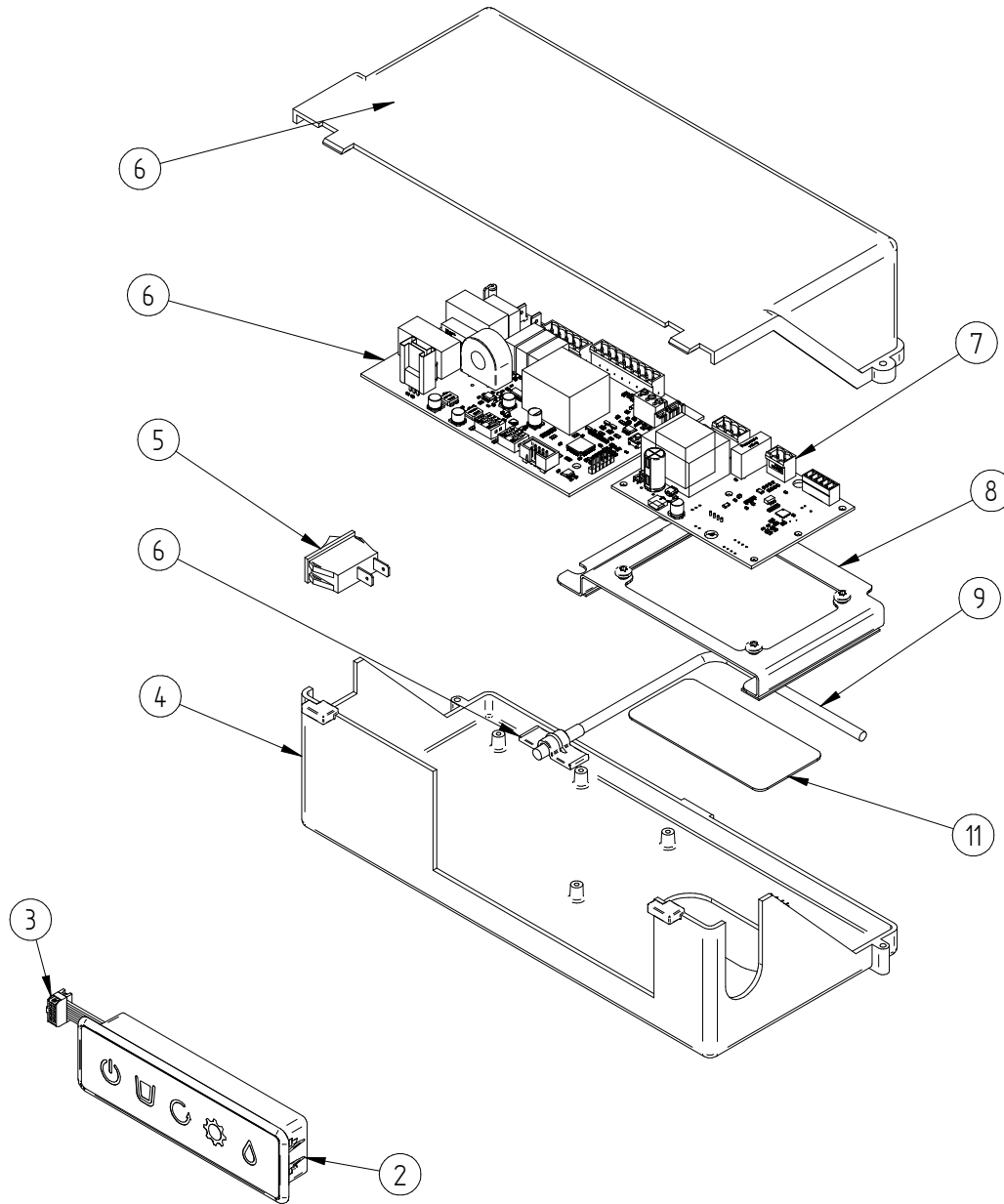
ITEM	DESCRIPTION	50	90
1	COMPRESSOR 220V/50HZ	31300	31301
2	FILTER DRIER		7896
3	AIR CONDENSER		491
4	FAN BLADE	4040	4887
5	FAN MOTOR 220V/50HZ	2170A	960
6	PRESSURE SWITCH COLLECTOR		31444
7	FAN CONTROL PRESSURE SWITCH		31160E
8	HIGH PRESSURE SWITCH		31660E
9	PLASTIC CLIP 1/4"		3533



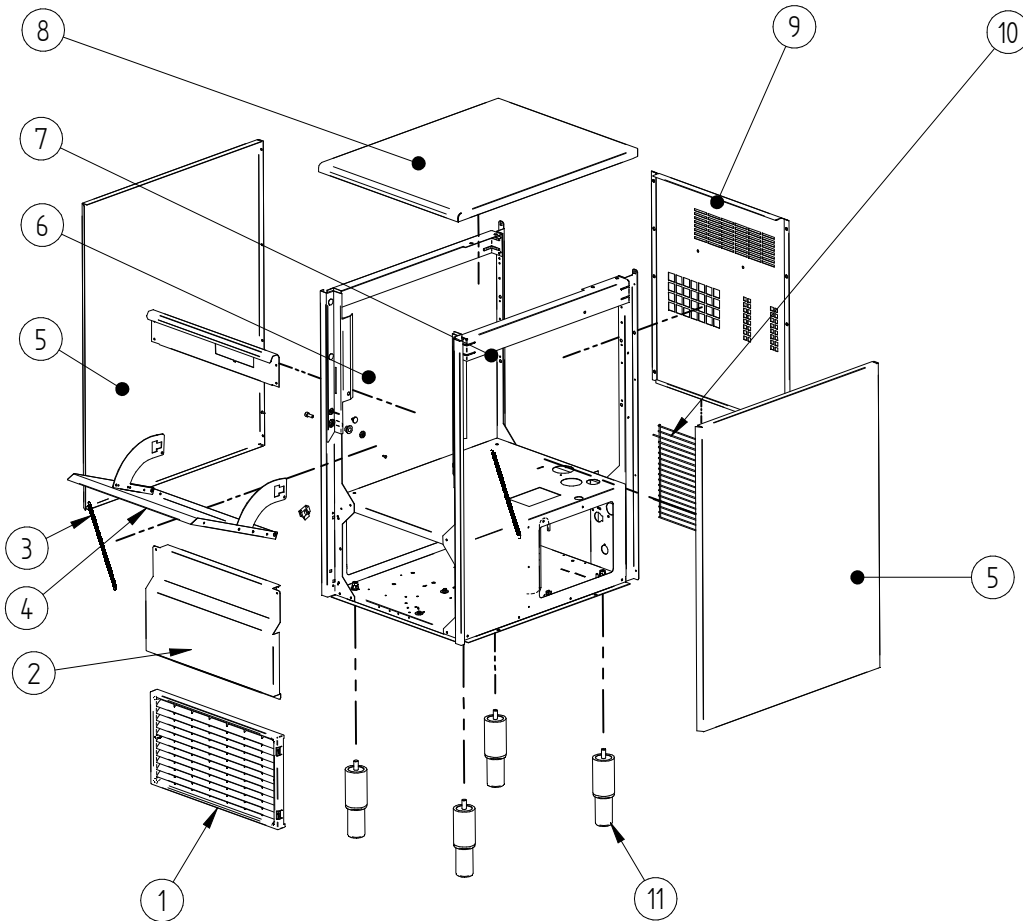
ITEM	DESCRIPTION	50-90
1	DRAIN FITTING	30850
2	INLET WATER VALVE	1673
3	DRAIN TUBE	34410
4	BIN	7380
5	DRIP TRAY	1123
6	THERMOSTAT JOINT	666
7	THERMOSTAT TUBE	5219
8	CLIP	113
9	OUTLET ICE TUBE	1053
10	WATER BIN	34122
11	O-RING	34150
12	INLET EVAPORATOR TUBE	34082
13	OVERFLOW TUBE	2505
14	COVER WITH ELECTRODES	34123
15	DRAIN VALVE	220/50 33550
16	WATER PUMP	32624
17	DRAIN CUBE	32571
18	DRAIN FOR TUBE, DISCHARGE BIN	32636
19	DRAIN TUBE	32455
20	DRAIN FORCE TUBE	32444
21	WATER BIN ASSEMBLY (Fom 4 to 7)	34552



ITEM	DESCRIPTION	50-90
1	GEAR MOTOR SUPPORT	6044
2	FLANGE/PLATE	109
3	AUGER	115E
4	EVAPORATOR FLANGE	1008
5	EVAPORATOR	7012C
6	V-RING	80
7	DOUBLE SEAL	75
8	O-RING BEARING	86
9	LOWER BEARING	97B
10	INNER RING	1390
11	BEARING CAP	92
12	INLET WATER FLANGE	211
13	INLET WATER	1005
14	INLET WATER O-RING	1006
15	DRAINAGE	785
16	OUTLET ICE TUBE	1007
17	OUTLET ICE O-RING	1391
18	SPACER	6072
19	GEAR MOTOR	220V/50HZ 6486
20	EVAPORATOR ASSEMBLY (From 3 to 17)	6037C



ITEM	DESCRIPTION	50-90
1	ELECTRIC BOX	4791
2	LEDS PANEL	30566B
3	WIRE PANEL	34162
4	ON/OFF SWITCH	2300
5	ELECTRONIC BOARD	33799A
6	ILUMINATION BOARD	34994
7	ILUMINATION BOARD SUPPORT	35009
8	ADHESIVE CLAMP	34795
9	MAGNETIC SENSOR	6178
10	NTC THERMAL SENSOR	30939A
11	PLASTIC WINDOW	34992
12	ELECTRIC BOX COVER	4790



ITEM	DESCRIPTION	50-90
1	FRONT LOUVER	4063
2	LOWER FRONT	35136
3	DOOR SPRING	702
4	DOOR ASSEMBLY	32577
5	SIDE PANELS	35145
6	LEFT DOOR GUARD	83
7	RIGHT DOOR GUARD	82
8	TOP COVER	35140
9	REAR COVER	635A
10	REAR GRILL	1728
11	LEG	1478
12	DOOR SCREW	392
13	CLIP	155
14	DOOR AXE BEARING	1001
15	DOOR BUMPER	155
16	DOOR SCREW	156

