

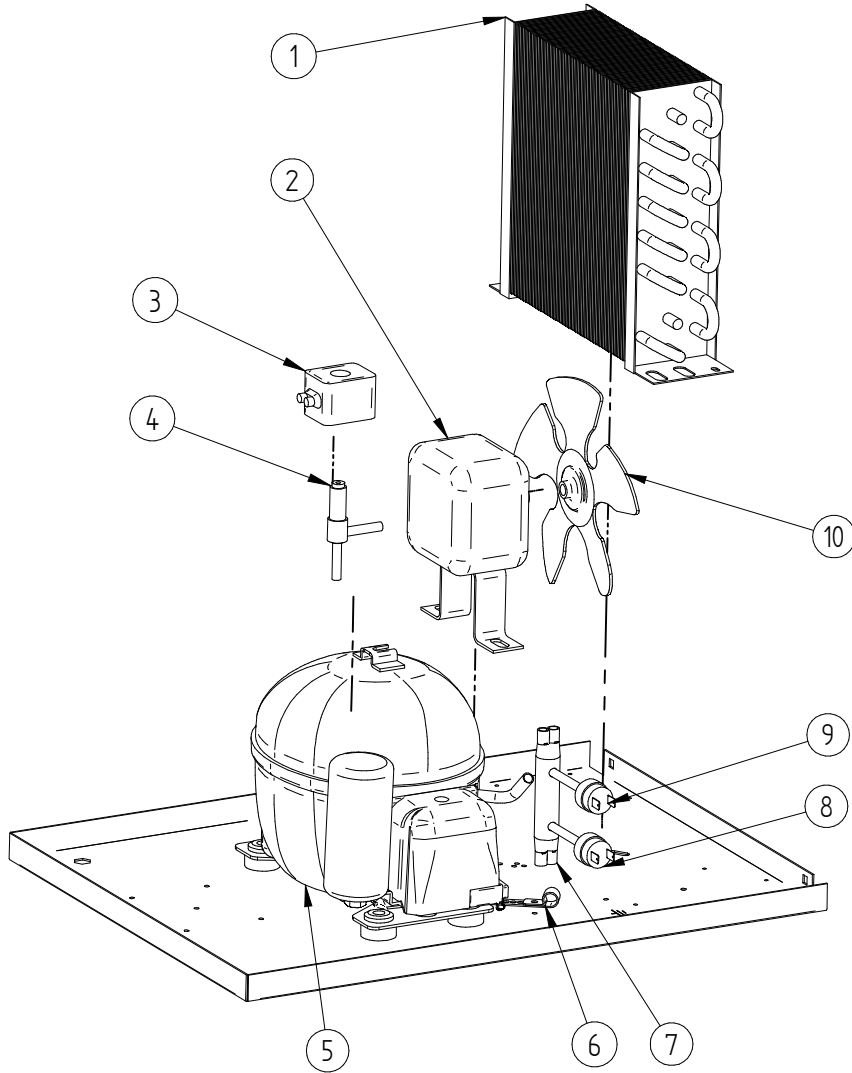


ELEGANCE 2514

ITV
ICE makers

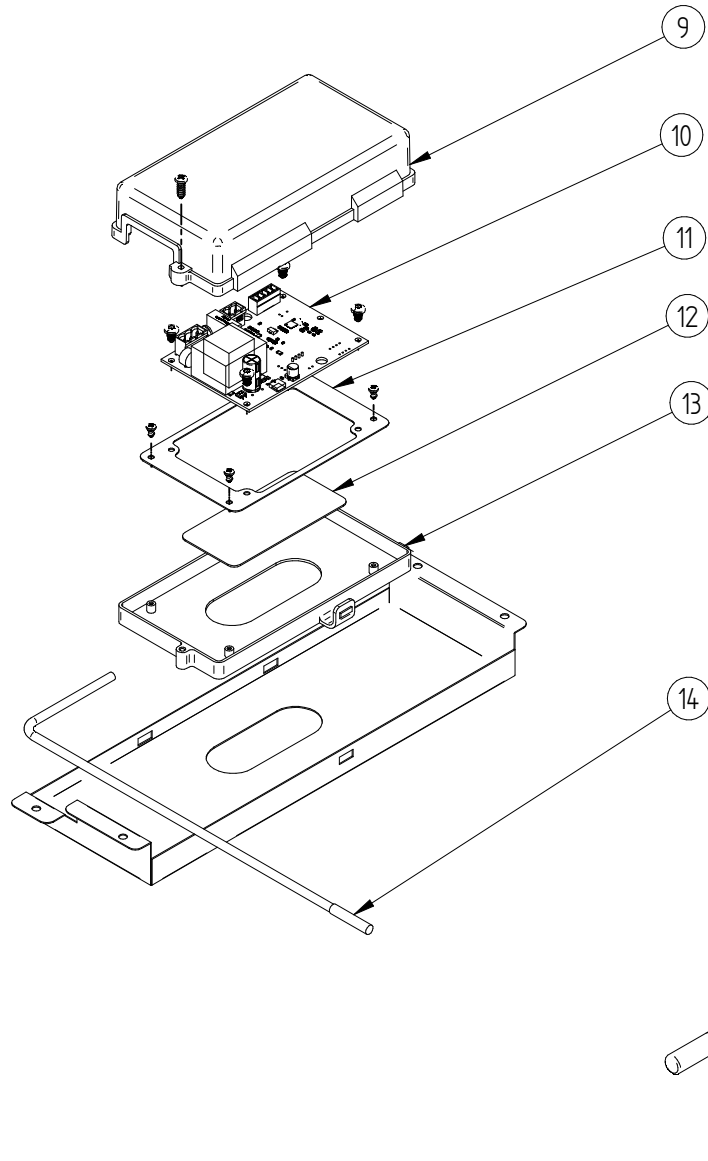


DESPIECE / REPUESTOS
EXPLODED VIEW / SPARE PARTS
EXPLOSIONSZEICHNUNG / ERSATZTEILE
VUE ÉCLATÉE / PIÈCES DÉTACHÉES
ESPLOSO / RICAMBI

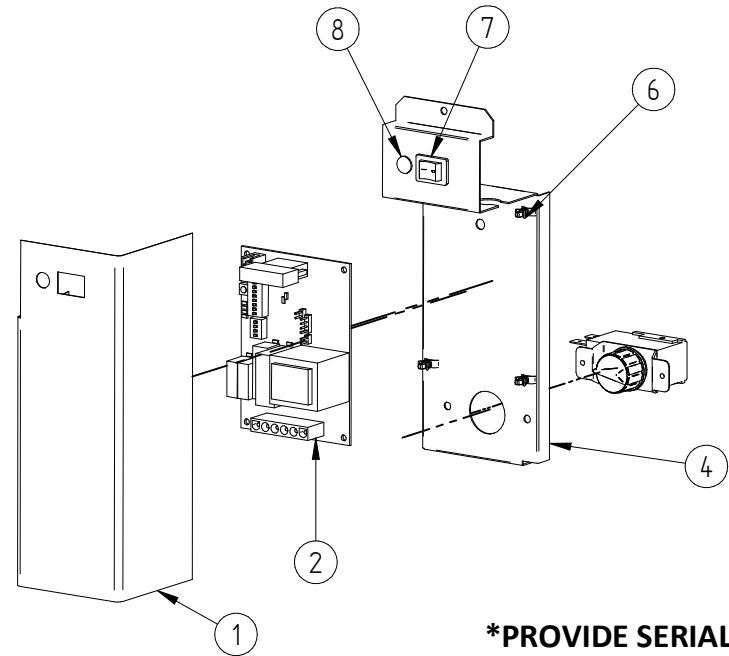


ITEM	DESCRIPTION	CODE
1	AIR CONDENSER	6907A
2	FAN MOTOR 220V/50-60HZ	2170A
3	HOT GAS VALVE - COIL 220V/50-60HZ	6906
4	HOT GAS VALVE - BODY	6904
5	COMPRESSOR 220V/50HZ	33311
6	CLIP TUBE	337
7	PRESSURE SWITCH COLLECTOR	31444
8	HIGH PRESSURE SWITCH	31660E
9	FAN CONTROL PRESSURE SWITCH	31160E
10	FAN BLADE	4887

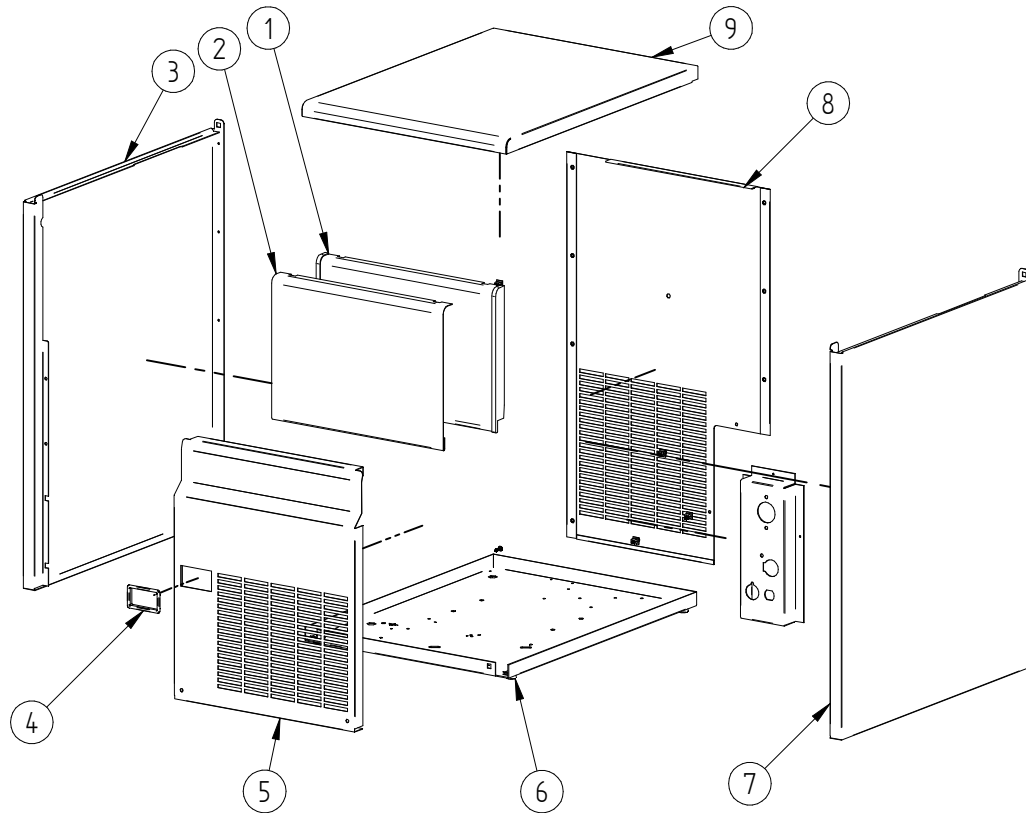
*PROVIDE SERIAL NUMBER



ITEM	DESCRIPTION	CODE
1	ELECTRIC BOX COVER*	8213U
2	ELECTRONIC BOARD 220V/50HZ	33614
3	TEMPERATURE PROBE	33425
4	ELECTRIC BOX SUPPORT*	31826U
5	BIN THERMOSTAT	31758
6	ELECTRONIC BOARD CLIP	31544
7	MAIN SWITCH*	32416
8	BLUE LED*	32415
9	ILUMINATION BOX COVER	30861
10	ILUMINATION BOARD	34994
11	ILUM. BOARD SUPPORT	34989
12	PROTECTION WINDOW	34992
13	ILUM. BOX BASE	2181CO
14	MAGNETIC SENSOR	6178

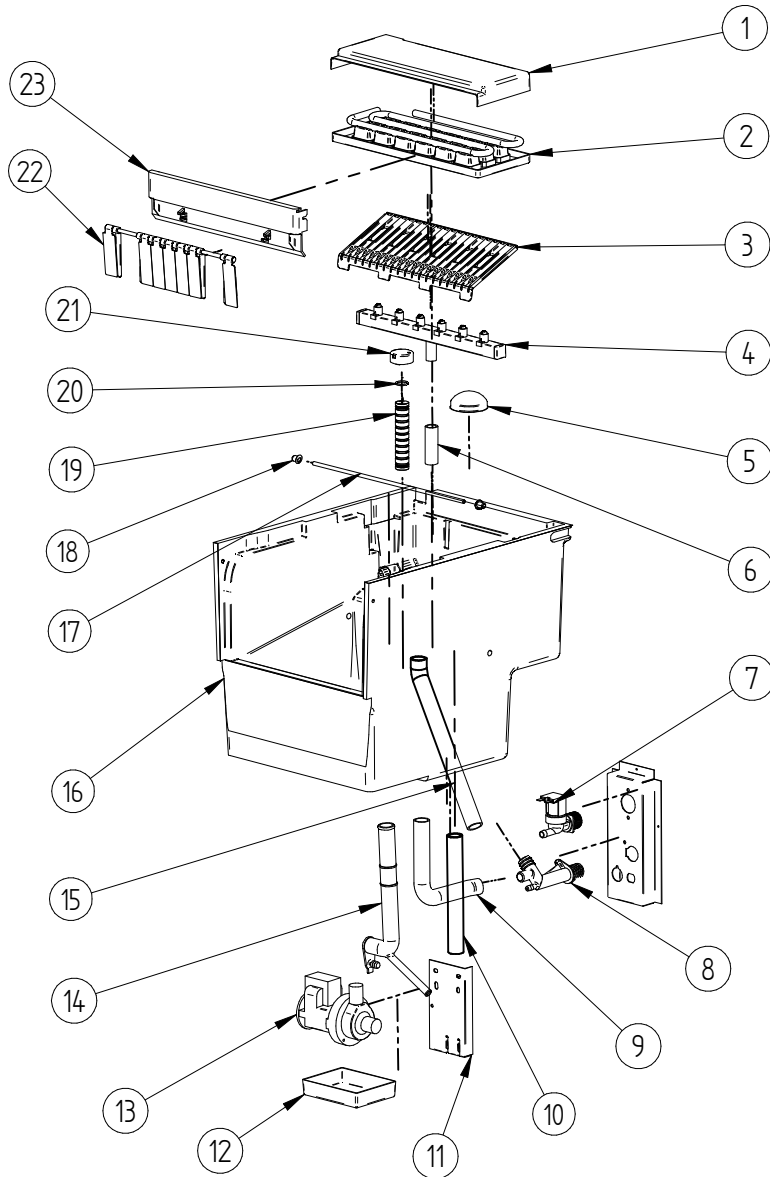


*PROVIDE SERIAL NUMBER



ITEM	DESCRIPTION	CODE
1	DOOR	35223
2	DOOR COVER	34913
3	LEFT PANEL	34910
4	MAIN SWITCH SUPPORT	32442
5	FRONT PANEL*	34909
6	LEGS	2171
7	RIGHT PANEL	34911
8	REAR COVER	1794
9	TOP PANEL	34912

*PROVIDE SERIAL NUMBER



ITEM	DESCRIPTION	CODE
1	EVAPORATOR COVER	1432
2	EVAPORATOR ALFA 16GR	6921
3	ICE CUBES RAMP	31114
4	SPRAY BAR	7333
5	FILTER	580
6	SPRAY BAR TUBE	993
7	INLET WATER VALVE 1B 220V/50-60HZ	6982
	INLET WATER VALVE 2B 220V/50-60HZ	6981+6959+4526
8	DRAIN FITTING	363
9	DRAIN TUBE	2189
10	WATER PUMP DISCHARGE TUBE	4744
11	PUMP SUPPORT	4613
12	WATER PUMP TRAY	4521
13	WATER PUMP 220V/50HZ	4769
14	WATER PUMP SUCTION TUBE	4961
15	DRAIN TUBE	2752
16	BIN	7002
17	THERMOSTAT TUBE	5230
18	THERMOSTAT JOINT	666
19	OVERFLOW PIPE	4426
20	O-RING	4496
21	OVERFLOW PIPE CAP	4427
22	CURTAIN ASSEMBLY	5223
23	CURTAIN HOLDER	8358A

*PROVIDE SERIAL NUMBER